

 **Primary 4 Maths (Term 2) - School RS** [Duplicate](#)[Print](#)[Delete](#)[Assign Test](#)**Test Introduction**[+ Add Introduction](#)**48 Questions** (95 Points)Question Bank: 19,950 Questions 

Test Questions

1 Test Assignment

Question 1

Primary 4 Maths » Primary 4 Math (Term 2)

2 pts

Each question carries 2 marks. For each question, four options are given. One of them is the correct answer. Make your choice (A, B, C or D).

In 87 015, what does the digit '8' stand for?

- A) 8 tens
- B) 8 hundreds
- C) 8 thousands
- D) 8 ten thousands

Question Type: Multiple Choice
Randomize Answers: No
Date Added: Thu 10th Sep 2020
Last Modified: N/A
QID#: 23,564,011

[Answers](#) | [Edit](#) | [Duplicate](#) | [Used In](#) | [Reorder](#)[Remove From Test](#)**Question 2**

Primary 4 Maths » Primary 4 Math (Term 2)

2 pts

Which of the following is a common multiple of 4 and 6?

- A) 36
- B) 32
- C) 28
- D) 18

Question Type: Multiple Choice
Randomize Answers: No
Date Added: Thu 10th Sep 2020
Last Modified: N/A
QID#: 23,564,024

[Answers](#) | [Edit](#) | [Duplicate](#) | [Used In](#) | [Reorder](#)

[Remove From Test](#)

Question 3

Primary 4 Maths » Primary 4 Math (Term 2)

2 pts

In _____ / 3 = 140 R2, find the missing number in the blank space.

- A) 418
- B) 420
- ✓ C) 422
- D) 426

Question Type: Multiple Choice
Randomize Answers: No
Date Added: Thu 10th Sep 2020
Last Modified: N/A
QID#: 23,564,042

[Answers](#) | [Edit](#) | [Duplicate](#) | [Used In](#) | [Reorder](#)

[Remove From Test](#)

Question 4

Primary 4 Maths » Primary 4 Math (Term 2)

2 pts

Johnny paid 6 books of the same price for \$228. What was the cost of 2 such books?

- A) \$19
- B) \$38
- ✓ C) \$76
- D) \$114

Question Type: Multiple Choice
Randomize Answers: No
Date Added: Thu 10th Sep 2020
Last Modified: N/A
QID#: 23,564,059

[Answers](#) | [Edit](#) | [Duplicate](#) | [Used In](#) | [Reorder](#)

[Remove From Test](#)

Question 5

Primary 4 Maths » Primary 4 Math (Term 2)

2 pts

Paul revised for a test from 7.35 p.m. to 9.15 p.m. yesterday. How long did he revise for the test?

- A) 1h 50 min
- ✓ B) 1h 40 min
- C) 1h 20 min
- D) 1h 10 min

Question Type: Multiple Choice
Randomize Answers: No
Date Added: Thu 10th Sep 2020
Last Modified: N/A
QID#: 23,564,074

[Answers](#) | [Edit](#) | [Duplicate](#) | [Used In](#) | [Reorder](#)

[Remove From Test](#)

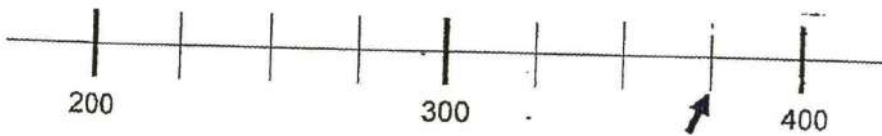
Question 6

Primary 4 Maths » Primary 4 Math (Term 2)

2 pts

In the number line below, what is the number indicated by the arrow?

In the number line below, what is the number indicated by the arrow?



- A) 330
- B) 360
- ✓ C) 375
- D) 380

Question Type: Multiple Choice
Randomize Answers: No
Date Added: Thu 10th Sep 2020
Last Modified: N/A
QID#: 23,565,433

[Answers](#) | [Edit](#) | [Duplicate](#) | [Used In](#) | [Reorder](#)

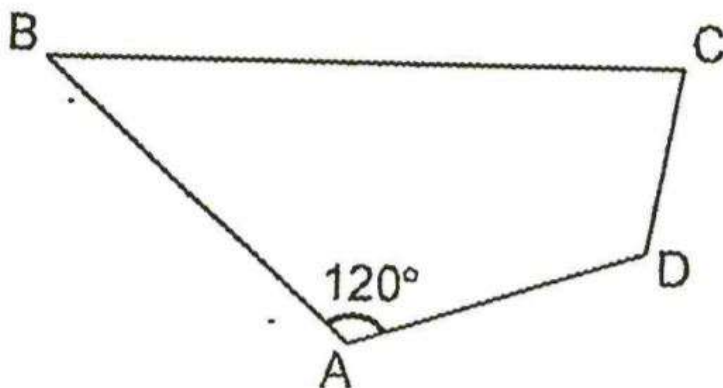
[Remove From Test](#)

Question 7

Primary 4 Maths » Primary 4 Math (Term 2)

2 pts

The figure is not drawn to scale. Name the marked angle of 120° .



- A) Angle ABC

- B) Angle ADC
- C) Angle BCD
- ✓ D) Angle DAB

Question Type: Multiple Choice
Randomize Answers: No
Date Added: Thu 10th Sep 2020
Last Modified: N/A
QID#: 23,565,461

[Answers](#) | [Edit](#) | [Duplicate](#) | [Used In](#) | [Reorder](#)

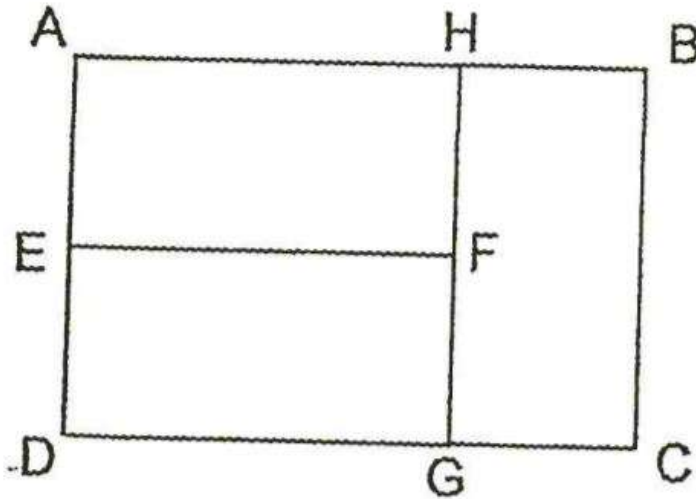
[Remove From Test](#)

Question 8

Primary 4 Maths » Primary 4 Math (Term 2)

2 pts

ABCD is formed by three identical rectangles.
 Which of the following is NOT true?



- A) $EF = GH$
- B) $AE = GC$
- C) $AB = HB + BC$
- ✓ D) ABCD is a square.

Question Type: Multiple Choice
Randomize Answers: No
Date Added: Thu 10th Sep 2020
Last Modified: N/A
QID#: 23,565,490

[Answers](#) | [Edit](#) | [Duplicate](#) | [Used In](#) | [Reorder](#)

[Remove From Test](#)

Question 9

Primary 4 Maths » Primary 4 Math (Term 2)

2 pts

In 85 905, what is the product of the two values of the digit '5'?

- A) 25
- B) 250

- C) 2500
 ✓ D) 25 000

Question Type: Multiple Choice
Randomize Answers: No
Date Added: Thu 10th Sep 2020
Last Modified: N/A
QID#: 23,565,524

[Answers](#) | [Edit](#) | [Duplicate](#) | [Used In](#) | [Reorder](#)

[Remove From Test](#)

Question 10

Primary 4 Maths » Primary 4 Math (Term 2)

2 pts

Lynn collected 98 stamps weekly for 26 weeks.
 How many stamps did she collect in total?
 Round off your answer to the nearest hundred.

- A) 3000
 B) 2600
 ✓ C) 2500
 D) 2400

Question Type: Multiple Choice
Randomize Answers: No
Date Added: Thu 10th Sep 2020
Last Modified: N/A
QID#: 23,565,550

[Answers](#) | [Edit](#) | [Duplicate](#) | [Used In](#) | [Reorder](#)

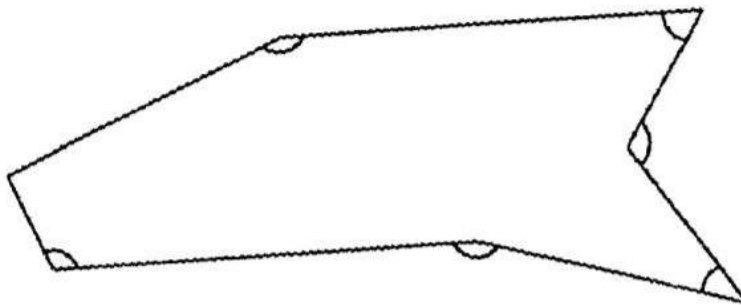
[Remove From Test](#)

Question 11

Primary 4 Maths » Primary 4 Math (Term 2)

2 pts

Six angles are marked in the figure below. How many of them are larger than a right angle?



- A) 5
 B) 6
 C) 3
 ✓ D) 4

Question Type: Multiple Choice
Randomize Answers: No
Date Added: Thu 10th Sep 2020
Last Modified: N/A
QID#: 23,565,580

[Answers](#) | [Edit](#) | [Duplicate](#) | [Used In](#) | [Reorder](#)

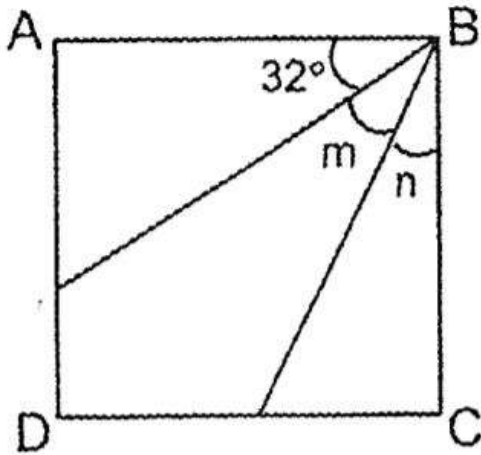
[Remove From Test](#)

Question 12

Primary 4 Maths » Primary 4 Math (Term 2)

2 pts

In the figure below, ABCD is a square and Angle $m =$ Angle n . Find Angle n .



- A) 16°
- ✓ B) 29°
- C) 32°
- D) 58°

Question Type: Multiple Choice
Randomize Answers: No
Date Added: Thu 10th Sep 2020
Last Modified: N/A
QID#: 23,565,612

[Answers](#) | [Edit](#) | [Duplicate](#) | [Used In](#) | [Reorder](#)

[Remove From Test](#)

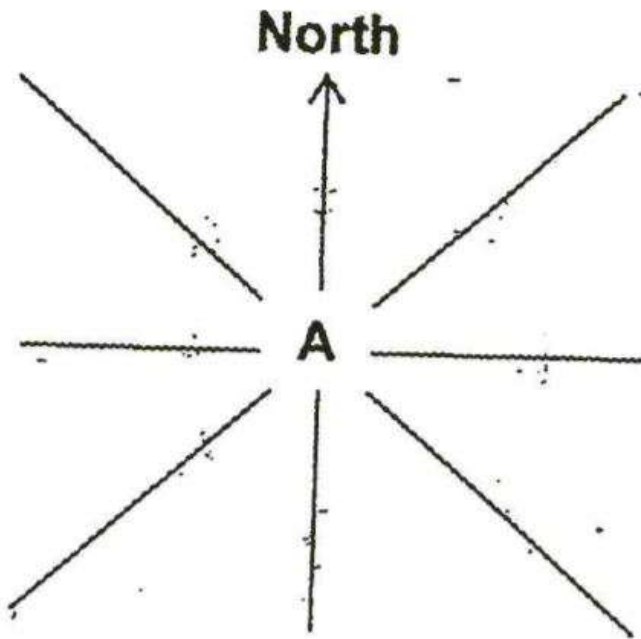
Question 13

Primary 4 Maths » Primary 4 Math (Term 2)

2 pts

Peter is standing at centre A according to the 8-point compass below.

After making a $\frac{1}{4}$ turn clockwise and then turning 315° in the anticlockwise direction, Peter finds himself facing the South.
 At which direction is Peter facing at first?



- A) East
- B) West
- ✓ C) North - East
- D) North - West

Question Type: Multiple Choice
Randomize Answers: No
Date Added: Thu 10th Sep 2020
Last Modified: N/A
QID#: 23,565,688

[Answers](#) | [Edit](#) | [Duplicate](#) | [Used In](#) | [Reorder](#)

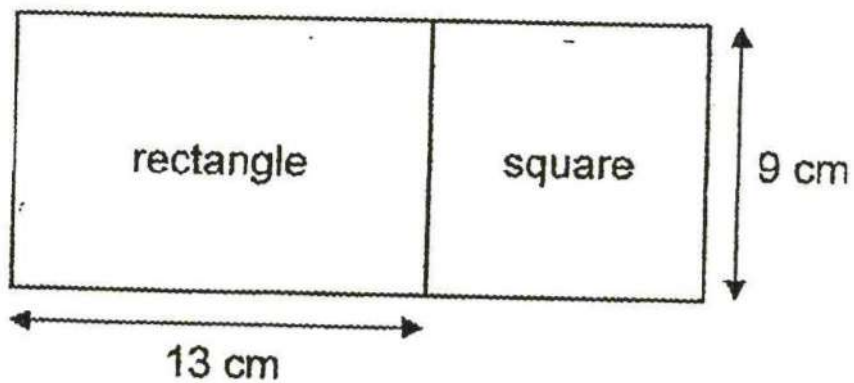
[Remove From Test](#)

Question 14

Primary 4 Maths » Primary 4 Math (Term 2)

2 pts

The figure is made up of a rectangle and a square. Find the perimeter of the figure.



- A) 53 cm

- ✓ B) 62 cm
C) 71 cm
D) 80 cm

Question Type: Multiple Choice
Randomize Answers: No
Date Added: Thu 10th Sep 2020
Last Modified: N/A
QID#: 23,565,713

[Answers](#) | [Edit](#) | [Duplicate](#) | [Used In](#) | [Reorder](#)

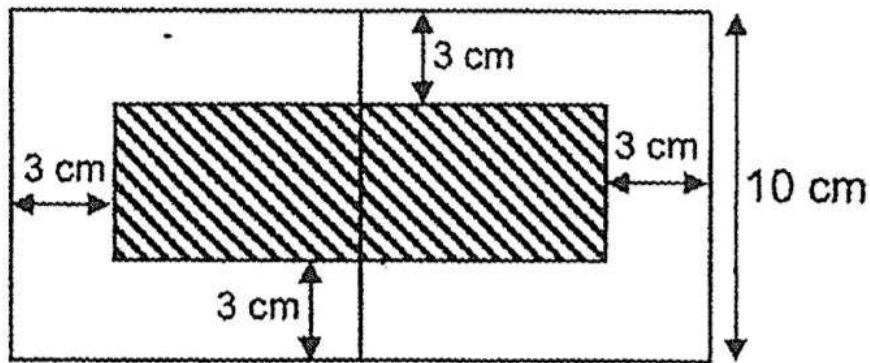
[Remove From Test](#)

Question 15

Primary 4 Maths » Primary 4 Math (Term 2)

2 pts

The figure below is made up of 2 identical squares and a shaded rectangle.
Find the area of the shaded rectangle.



- ✓ A) 56 cm²
B) 84 cm²
C) 119 cm²
D) 182 cm²

Question Type: Multiple Choice
Randomize Answers: No
Date Added: Thu 10th Sep 2020
Last Modified: N/A
QID#: 23,565,753

[Answers](#) | [Edit](#) | [Duplicate](#) | [Used In](#) | [Reorder](#)

[Remove From Test](#)

Question 16

Primary 4 Maths » Primary 4 Math (Term 2)

2 pts

The following display is a notice of the visiting hours of Happy Hospital.

Daily Visiting Hours
11.30 a.m. to 2 p.m.
5 p.m. to 8.30 p.m.

How long is Happy Hospital open for visiting daily?

- A) 2h 30 min
- B) 3h 30 min
- ✓ C) 6h
- D) 9h

Question Type: Multiple Choice
Randomize Answers: No
Date Added: Thu 10th Sep 2020
Last Modified: N/A
QID#: 23,565,798

[Answers](#) | [Edit](#) | [Duplicate](#) | [Used In](#) | [Reorder](#)

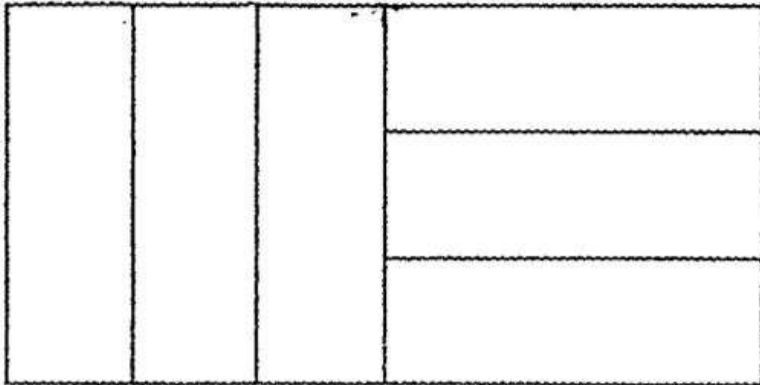
[Remove From Test](#)

Question 17

Primary 4 Maths » Primary 4 Math (Term 2)

2 pts

The figure is made up of 6 identical rectangles.
The perimeter of the figure is 72 cm. Find the perimeter of one rectangle.



- A) 12 cm
- ✓ B) 18 cm
- C) 24 cm
- D) 32 cm

Question Type: Multiple Choice
Randomize Answers: No
Date Added: Thu 10th Sep 2020
Last Modified: N/A
QID#: 23,565,870

[Answers](#) |
 [Edit](#) |
 [Duplicate](#) |
 [Used In](#) |
 [Reorder](#)

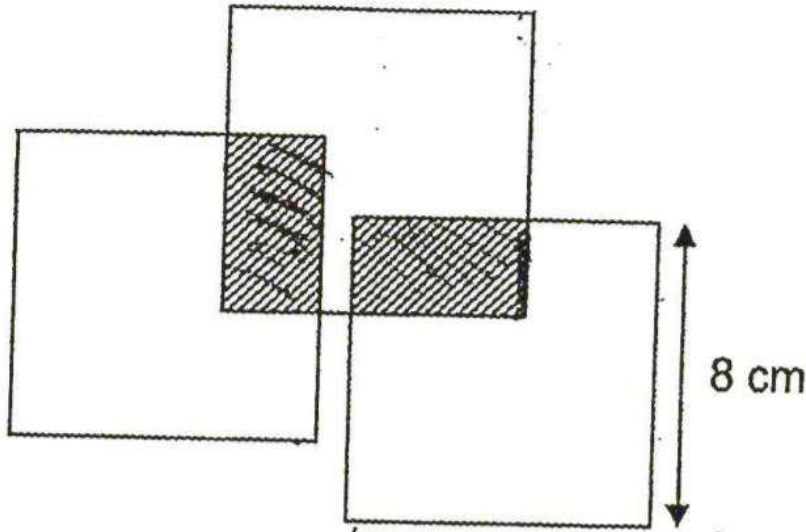
[Remove From Test](#)

Question 18

Primary 4 Maths » Primary 4 Math (Term 2)

2 pts

The figure is made up of three identical squares overlapping each other as shown. Each overlapped part is a rectangle as shaded and the area of each shaded rectangle is 15 cm^2 . Find the total area of the **unshaded** parts.



- A) 117 cm^2
- ✓ B) 132 cm^2
- C) 147 cm^2
- D) 162 cm^2

Question Type: Multiple Choice
Randomize Answers: No
Date Added: Thu 10th Sep 2020
Last Modified: N/A
QID#: 23,565,928

[Answers](#) |
 [Edit](#) |
 [Duplicate](#) |
 [Used In](#) |
 [Reorder](#)

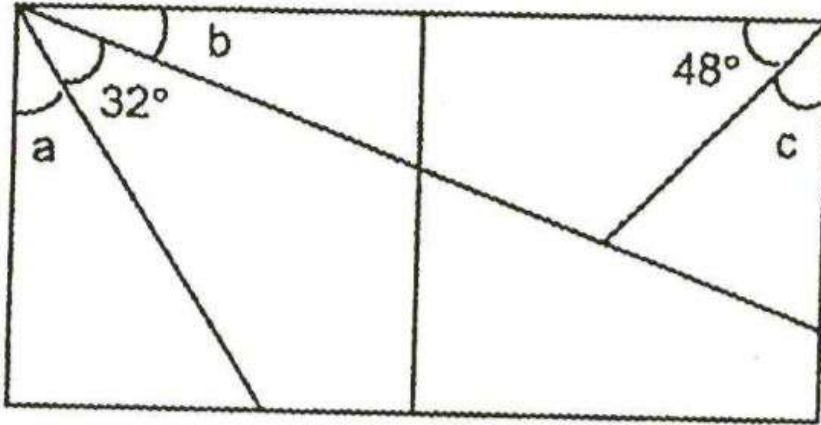
[Remove From Test](#)

Question 19

Primary 4 Maths » Primary 4 Math (Term 2)

2 pts

The figure is formed by two identical squares. Some straight lines are drawn inside the figure. Find the value of Angle a + Angle b + Angle c.



- A) 100°
 B) 106°
 C) 138°
 D) 144°

Question Type: Multiple Choice
Randomize Answers: No
Date Added: Thu 10th Sep 2020
Last Modified: N/A
QID#: 23,566,045

[Answers](#) | [Edit](#) | [Duplicate](#) | [Used In](#) | [Reorder](#)

[Remove From Test](#)

Question 20

Primary 4 Maths » Primary 4 Math (Term 2)

2 pts

When Ben is 8 years old, Charles is three times as old as Ben and 4 years older than Daniel. If Daniel is 50 years old, how old is Ben?

- A) 18
 B) 34
 C) 38
 D) 46

Question Type: Multiple Choice
Randomize Answers: No
Date Added: Thu 10th Sep 2020
Last Modified: N/A
QID#: 23,566,062

[Answers](#) | [Edit](#) | [Duplicate](#) | [Used In](#) | [Reorder](#)

[Remove From Test](#)

Question 21

Primary 4 Maths » Primary 4 Math (Term 2)

1 pt

Show your workings clearly for each question and write your answers in the spaces provided.
For questions which require units, give your answers in the units stated.

Find the product of 145 and 70.

Accepted answers:

- ✓ 10150
- ✓ 10 150
- ✓ 10,150
- ✓ 10, 150
- ✓ 10 ,150
- ✓ 10 , 150

Question Type: Free Text
Date Added: Thu 10th Sep 2020
Last Modified: N/A
QID#: 23,566,153

[Answers](#) | [Edit](#) | [Duplicate](#) | [Used In](#) | [Reorder](#)

[Remove From Test](#)

Question 22

Primary 4 Maths » Primary 4 Math (Term 2)

1 pt

Write sixty thousand, one hundred and twenty in numerals.

Accepted answers:

- ✓ 60 120
- ✓ 60120
- ✓ 60,120
- ✓ 60, 120
- ✓ 60 ,120
- ✓ 60 , 120

Question Type: Free Text
Date Added: Thu 10th Sep 2020
Last Modified: N/A
QID#: 23,566,164

[Answers](#) | [Edit](#) | [Duplicate](#) | [Used In](#) | [Reorder](#)

[Remove From Test](#)

Question 23

Primary 4 Maths » Primary 4 Math (Term 2)

1 pt

In 7 ten thousands + 5 hundreds, what is value of the largest digit?

Accepted answers:

- ✓ 70 000
- ✓ 70000
- ✓ 70,000

✓ 70,000

✓ 70,000

✓ 70,000

Question Type: Free Text

Date Added: Thu 10th Sep 2020

Last Modified: N/A

QID#: 23,566,179

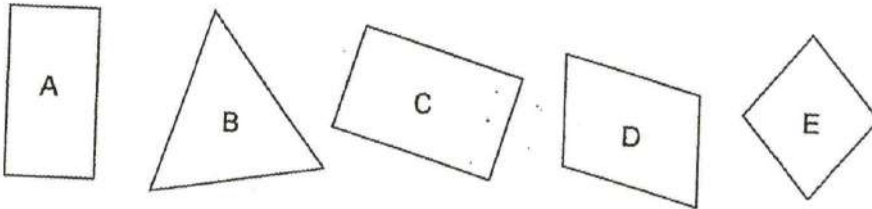
[Answers](#) | [Edit](#) | [Duplicate](#) | [Used In](#) | [Reorder](#)
[Remove From Test](#)**Question 24**

Primary 4 Maths » Primary 4 Math (Term 2)

1 pt

Study the shapes below.

Which shape(s) has/have all the properties of a rectangle?



Ans: _____ and _____

Accepted answers:

✓ A and C

✓ C and a

✓ A C

✓ A,C

✓ A, C

Question Type: Free Text

Date Added: Thu 10th Sep 2020

Last Modified: N/A

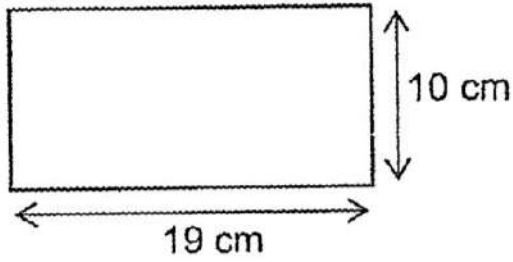
QID#: 23,566,228

[Answers](#) | [Edit](#) | [Duplicate](#) | [Used In](#) | [Reorder](#)
[Remove From Test](#)**Question 25**

Primary 4 Maths » Primary 4 Math (Term 2)

1 pt

The figure below is a rectangle. Find its perimeter.



Ans: ____ cm

Accepted answers:

- ✓ 58 cm
- ✓ 58
- ✓ 58cm

Question Type: Free Text
 Date Added: Thu 10th Sep 2020
 Last Modified: Mon 21st Sep 2020
 QID#: 23,566,240

[Answers](#) | [Edit](#) | [Duplicate](#) | [Used In](#) | [Reorder](#)

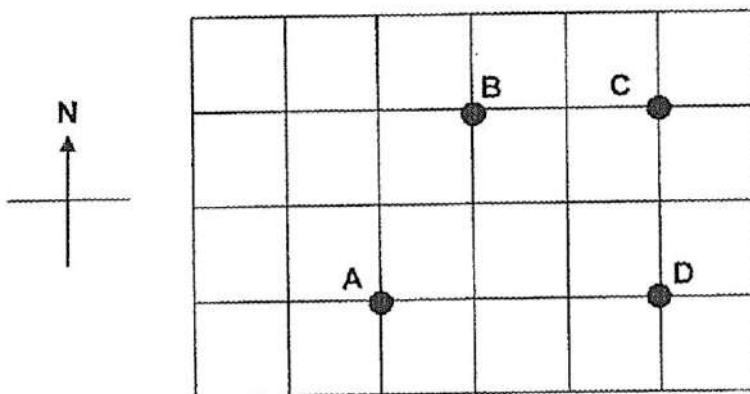
[Remove From Test](#)

Question 26

Primary 4 Maths » Primary 4 Math (Term 2)

1 pt

The square grid below shows four positions on a map.
 In which direction is D from B?



Accepted answers:

- ✓ South - East
- ✓ South-East
- ✓ south east

Question Type: Free Text
 Date Added: Thu 10th Sep 2020
 Last Modified: N/A
 QID#: 23,566,301

Answers | Edit | Duplicate | Used In | Reorder

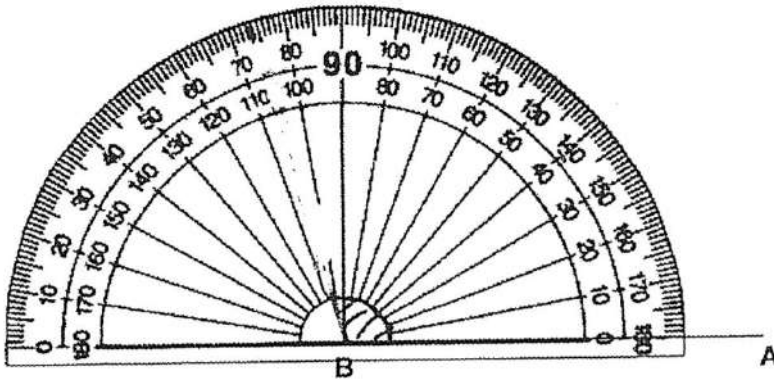
Remove From Test

Question 27

Primary 4 Maths » Primary 4 Math (Term 2)

0 pts

Use the given protractor and complete the drawing of $\angle ABC = 106^\circ$.



This question is designed for extended answers that parent/ teacher will have to assign and guide child to attempt after the test has been completed.

Grading: This question type is not graded on this system and will not affect the final score as it was designed in such a way that it requires manual assistance.

Please put "Done" in the question space below in order to proceed to the next question

Question Type: Essay
 Date Added: Thu 10th Sep 2020
 Last Modified: Mon 21st Sep 2020
 QID#: 23,567,883

Correctly answered feedback

Draw a line on 106 and label it.

Incorrectly answered feedback

Draw a line on 106 and label it.

Answers | Edit | Duplicate | Used In | Reorder

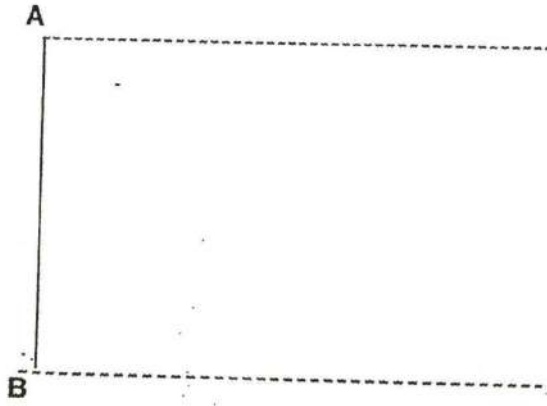
Remove From Test

Question 28

Primary 4 Maths » Primary 4 Math (Term 2)

0 pts

Use the dotted line to complete the drawing of square ABCD with side AB given.



This question is designed for extended answers that parent/ teacher will have to assign and guide child to attempt after the test has been completed.

Grading: This question type is not graded on this system and will not affect the final score as it was designed in such a way that it requires manual assistance.

Please put "Done" in the question space below in order to proceed to the next question

Question Type: Essay
 Date Added: Thu 10th Sep 2020
 Last Modified: Mon 21st Sep 2020
 QID#: 23,567,951

Correctly answered feedback

Draw a square using ruler and label.

Incorrectly answered feedback

Draw a square using ruler and label.

[Answers](#) | [Edit](#) | [Duplicate](#) | [Used In](#) | [Reorder](#)

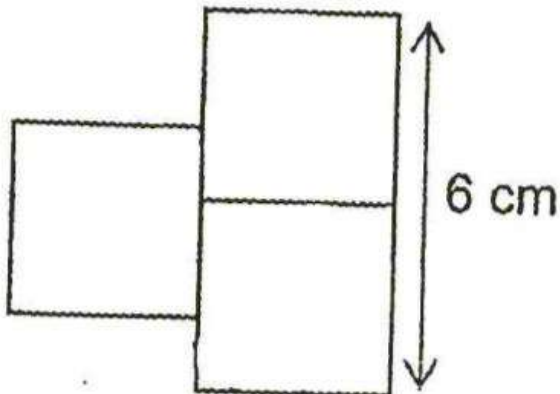
[Remove From Test](#)

Question 29

Primary 4 Maths » Primary 4 Math (Term 2)

1 pt

The figure is made up of 3 identical squares. Find its area.



Ans: ____ cm

Accepted answers:

- ✓ 27 cm square
- ✓ 27cm square
- ✓ 27 cm
- ✓ 27cm
- ✓ 27
- ✓ 27cm2
- ✓ 27 cm2

Question Type: Free Text
Date Added: Thu 10th Sep 2020
Last Modified: Mon 21st Sep 2020
QID#: 23,568,034

Correctly answered feedback27 cm²**Incorrectly answered feedback**27 cm²

[↗ Answers](#) | [✎ Edit](#) | [📄 Duplicate](#) | [📌 Used In](#) | [⬇ Reorder](#)

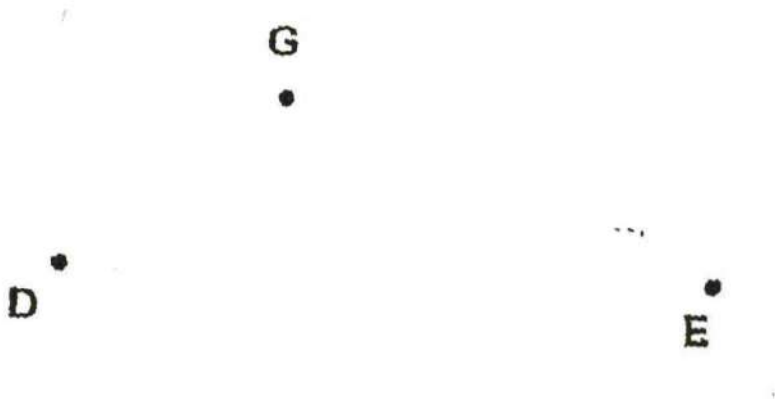
[Remove From Test](#)

Question 30

Primary 4 Maths » Primary 4 Math (Term 2)

0 pts

Draw two straight line to join the three dots to form the smallest angle. Measure this angle with a protractor and write its value in the answer space.



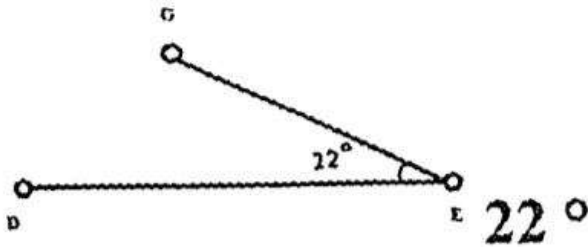
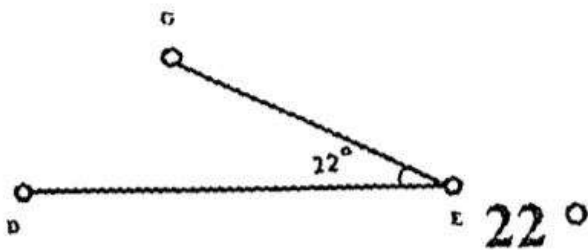
This question is designed for extended answers that parent/ teacher will have to assign and guide child to attempt after the test has been completed.

Grading: This question type is not graded on this system and will not affect the final score as it was designed in such a way that it requires manual assistance.

Please put "Done" in the question space below in order to proceed to the next question

Question Type: Essay
Date Added: Thu 10th Sep 2020
Last Modified: Mon 21st Sep 2020

QID#: 23,568,138

Correctly answered feedback**Incorrectly answered feedback**

[Answers](#) |
 [Edit](#) |
 [Duplicate](#) |
 [Used In](#) |
 [Reorder](#)

[Remove From Test](#)

Question 31

Primary 4 Maths » Primary 4 Math (Term 2)

2 pts

Find the sum of all the common factors of 12 and 16.

Accepted answers:

✓ 7

Question Type: Free Text
Date Added: Thu 10th Sep 2020
Last Modified: N/A
QID#: 23,568,150

[Answers](#) |
 [Edit](#) |
 [Duplicate](#) |
 [Used In](#) |
 [Reorder](#)

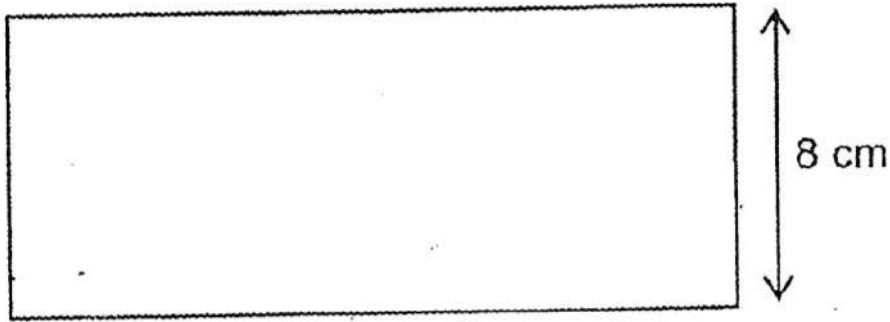
[Remove From Test](#)

Question 32

Primary 4 Maths » Primary 4 Math (Term 2)

2 pts

A piece of wire of 50 cm is just enough to form the rectangle below.
What is the area of the rectangle?



Ans: ___ cm

Accepted answers:

- ✓ 136 cm square
- ✓ 136 cm
- ✓ 136cm
- ✓ 136cm square
- ✓ 136
- ✓ 136cm2
- ✓ 136 cm2

Question Type: Free Text
Date Added: Thu 10th Sep 2020
Last Modified: Mon 21st Sep 2020
QID#: 23,568,189

Correctly answered feedback136 cm²**Incorrectly answered feedback**136 cm²

[Answers](#) | [Edit](#) | [Duplicate](#) | [Used In](#) | [Reorder](#)

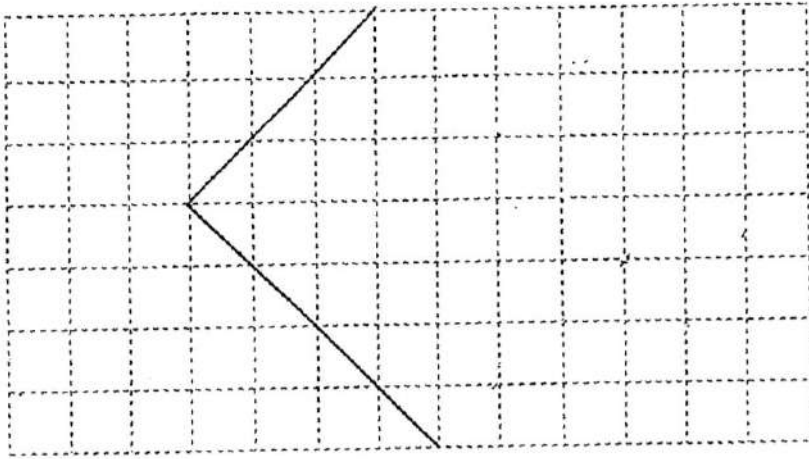
[Remove From Test](#)

Question 33

Primary 4 Maths » Primary 4 Math (Term 2)

0 pts

Complete drawing the rectangle with the given lines.



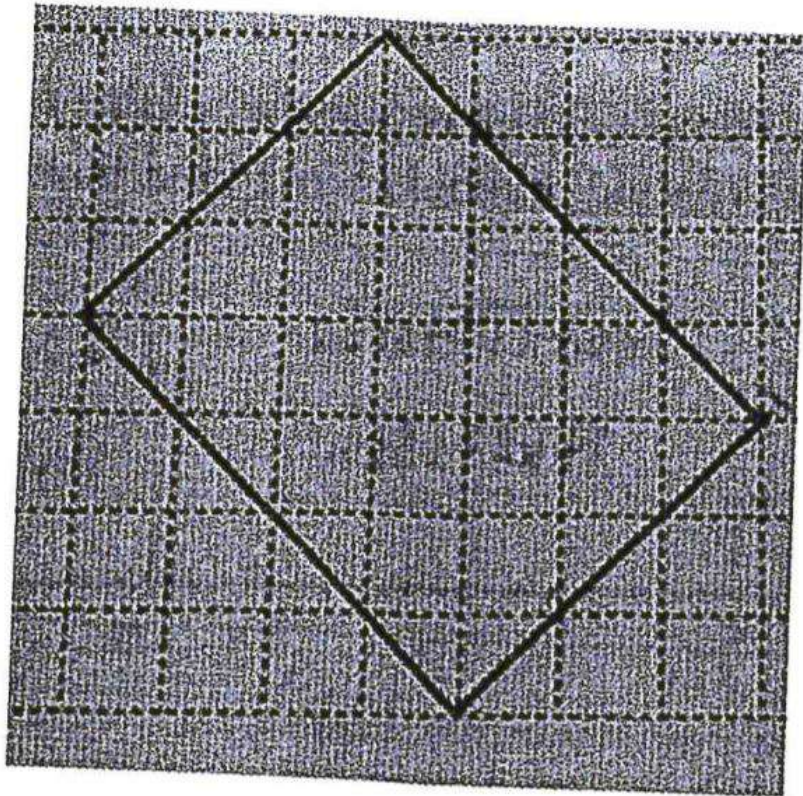
This question is designed for extended answers that parent/ teacher will have to assign and guide child to attempt after the test has been completed.

Grading: This question type is not graded on this system and will not affect the final score as it was designed in such a way that it requires manual assistance.

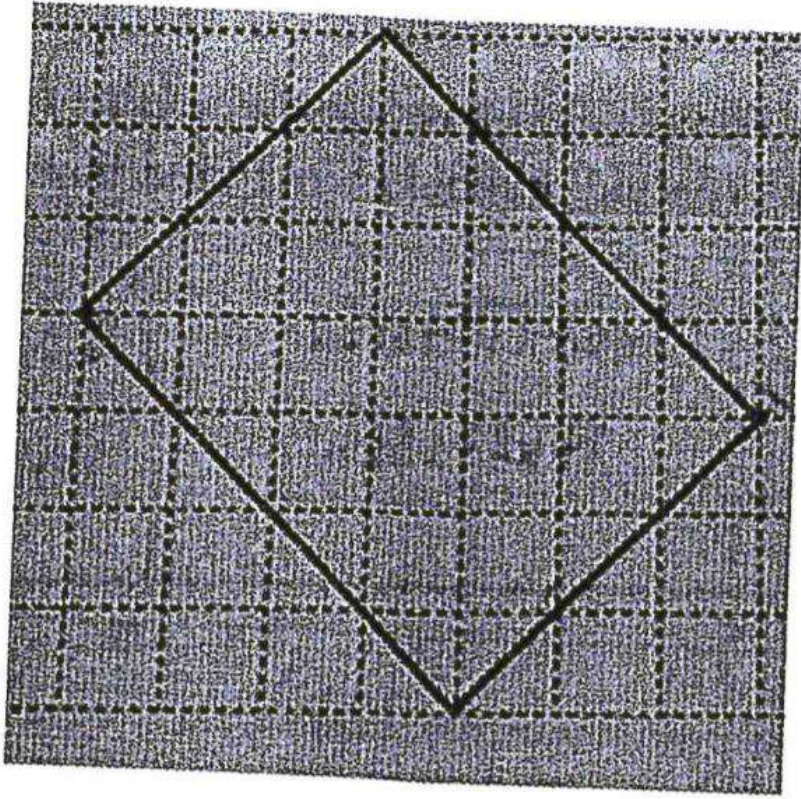
Please put "Done" in the question space below in order to proceed to the next question

Question Type: Essay
Date Added: Thu 10th Sep 2020
Last Modified: Mon 21st Sep 2020
QID#: 23,568,225

Correctly answered feedback



Incorrectly answered feedback



[Answers](#) |
 [Edit](#) |
 [Duplicate](#) |
 [Used In](#) |
 [Reorder](#)

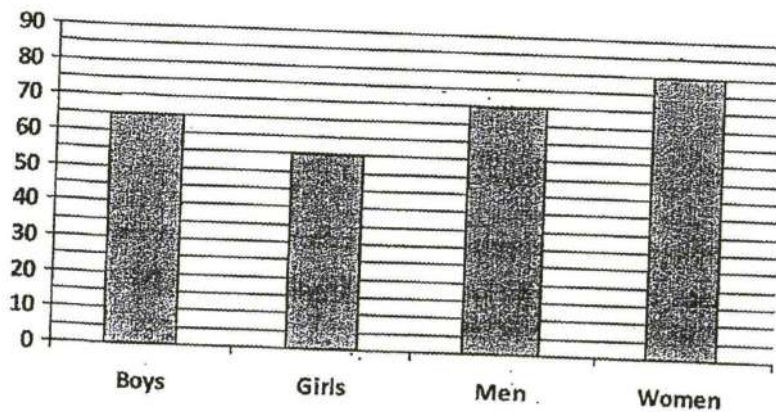
[Remove From Test](#)

Question 34

Primary 4 Maths » Primary 4 Math (Term 2)

2 pts

The bar graph below shows the number of people who attended a concert. How many people attended the concert?



Accepted answers:

- ✓ 270
- ✓ 270 people

Question Type: Free Text
 Date Added: Thu 10th Sep 2020
 Last Modified: N/A
 QID#: 23,568,258

[Answers](#) | [Edit](#) | [Duplicate](#) | [Used In](#) | [Reorder](#)[Remove From Test](#)

Question 35

Primary 4 Maths » Primary 4 Math (Term 2)

2 pts

Study the number pattern. Find the sum of the next two missing numbers.

9660, 9510, 9360, 9210, _____, _____, 8760,

Accepted answers:

- ✓ 17 970
- ✓ 17970
- ✓ 17,970
- ✓ 17, 970
- ✓ 17 ,970
- ✓ 17 , 970

Question Type: Free Text
Date Added: Thu 10th Sep 2020
Last Modified: N/A
QID#: 23,568,288

[Answers](#) | [Edit](#) | [Duplicate](#) | [Used In](#) | [Reorder](#)[Remove From Test](#)

Question 36

Primary 4 Maths » Primary 4 Math (Term 2)

2 pts

Kim brought \$100 to buy fruit tarts. She paid \$7 for 3 fruit tarts.
What was the greatest number of fruit tarts that she could buy?

Accepted answers:

- ✓ 42
- ✓ 42 fruit tarts

Question Type: Free Text
Date Added: Thu 10th Sep 2020
Last Modified: N/A
QID#: 23,568,312

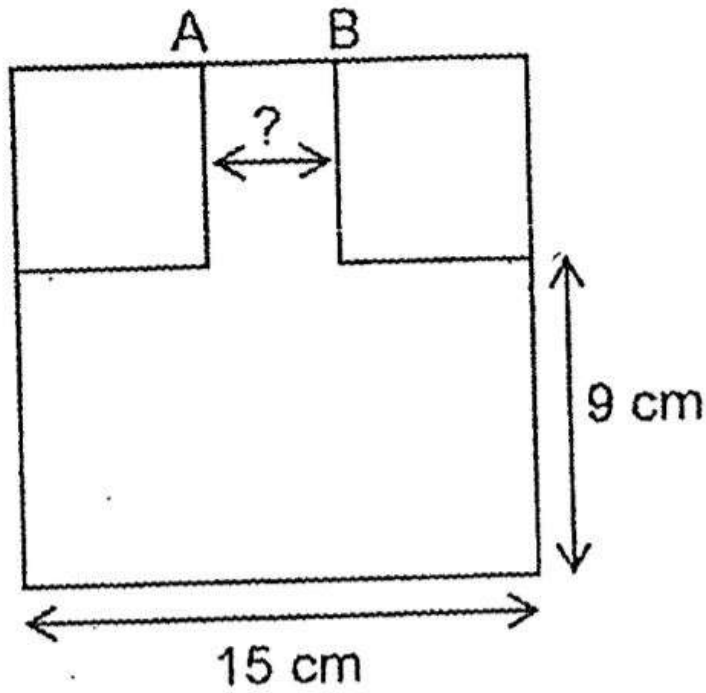
[Answers](#) | [Edit](#) | [Duplicate](#) | [Used In](#) | [Reorder](#)[Remove From Test](#)

Question 37

Primary 4 Maths » Primary 4 Math (Term 2)

2 pts

The figure below is made up of three squares. What is length AB?



Ans: ____ cm

Accepted answers:

- ✓ 3 cm
- ✓ 3cm
- ✓ 3

Question Type: Free Text
Date Added: Thu 10th Sep 2020
Last Modified: N/A
QID#: 23,568,337

[Answers](#) | [Edit](#) | [Duplicate](#) | [Used In](#) | [Reorder](#)

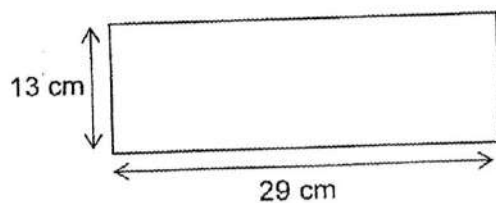
[Remove From Test](#)

Question 38

Primary 4 Maths » Primary 4 Math (Term 2)

2 pts

The figure below is a rectangular card. At most, how many squares of side 3 cm can be cut from this card?



Accepted answers:

- ✓ 41
- 41 squares



Question Type: Free Text
Date Added: Thu 10th Sep 2020
Last Modified: Sat 15th May 2021
QID#: 23,568,376

[Answers](#) | [Edit](#) | [Duplicate](#) | [Used In](#) | [Reorder](#)

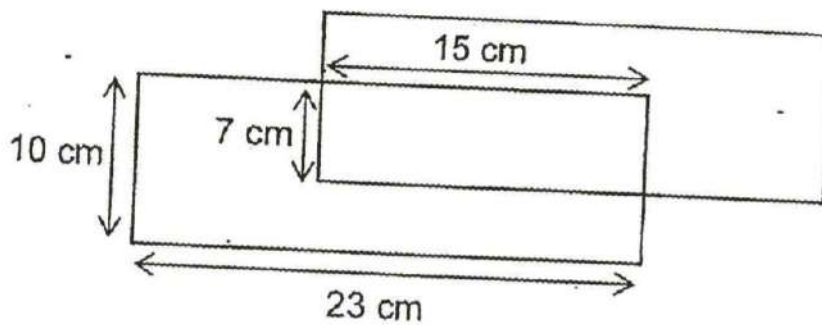
[Remove From Test](#)

Question 39

Primary 4 Maths » Primary 4 Math (Term 2)

2 pts

The figure is made up of two identical rectangles overlapping each other.
 Find the perimeter of the figure.



Ans: _____ cm

Accepted answers:

- ✓ 88 cm
- ✓ 88cm
- ✓ 88

Question Type: Free Text
Date Added: Thu 10th Sep 2020
Last Modified: Mon 21st Sep 2020
QID#: 23,568,427

[Answers](#) | [Edit](#) | [Duplicate](#) | [Used In](#) | [Reorder](#)

[Remove From Test](#)

Question 40

Primary 4 Maths » Primary 4 Math (Term 2)

2 pts

Lynn bought some chocolate and durian cupcakes for \$180. Each chocolate cupcake cost \$1 and each durian cupcake cost \$5. She bought an equal number of the two types of cupcakes. How many cupcakes did she buy altogether?

Accepted answers:

- ✓ 60
- ✓ 60 cupcakes

Question Type: Free Text
Date Added: Thu 10th Sep 2020
Last Modified: N/A
QID#: 23,568,455

[Answers](#) | [Edit](#) | [Duplicate](#) | [Used In](#) | [Reorder](#)

[Remove From Test](#)

Question 41

Primary 4 Maths » Primary 4 Math (Term 2)

3 pts

Mr Lim bought 3900 g of soil. He poured all the soil equally into 5 pots. The mass of each empty pot is 750 g. Find the mass of each pot with the soil.

Ans: ____ g

Accepted answers:

- ✓ 1530g
- ✓ 1530 g
- ✓ 1,530g
- ✓ 1,530 g
- ✓ 1 530g
- ✓ 1 530 g
- ✓ 1, 530g
- ✓ 1, 530 g
- ✓ 1530
- ✓ 1,530
- ✓ 1 530
- ✓ 1, 530

Question Type: Free Text
Date Added: Thu 10th Sep 2020
Last Modified: N/A
QID#: 23,568,534

Correctly answered feedback

Soil in each pot: $3900\text{g} / 5 = 780\text{g}$
 Each pot with the soil: $780\text{g} + 750\text{g} = 1530\text{g}$

Incorrectly answered feedback

Soil in each pot: $3900\text{g} / 5 = 780\text{g}$
 Each pot with the soil: $780\text{g} + 750\text{g} = 1530\text{g}$

[Answers](#) | [Edit](#) | [Duplicate](#) | [Used In](#) | [Reorder](#)

[Remove From Test](#)

Question 42

Primary 4 Maths » Primary 4 Math (Term 2)

3 pts

Peter had 15 identical containers. He filled 700 ml of water into each of the first 8 containers and twice as much water into each of the remaining containers. How much water did he use altogether?

Ans: _____ ml

Accepted answers:

- ✓ 15400
- ✓ 15400ml
- ✓ 15400 ml
- ✓ 15 400
- ✓ 15 400ml
- ✓ 15 400 ml
- ✓ 15,400
- ✓ 15,400ml
- ✓ 15,400 ml
- ✓ 15, 400
- ✓ 15, 400 ml
- ✓ 15, 400ml

Question Type: Free Text
Date Added: Thu 10th Sep 2020
Last Modified: N/A
QID#: 23,568,611

Correctly answered feedback

8 containers: $700 \text{ ml} \times 8 = 5600 \text{ ml}$
 $15 - 8 = 7$
 $700 \text{ ml} \times 2 = 1400 \text{ ml}$
 Remaining containers: $1400 \text{ ml} \times 7 = 9800 \text{ ml}$
 Water he used: $5600 \text{ ml} + 9800 \text{ ml} = 15400 \text{ ml}$

Incorrectly answered feedback

8 containers: $700 \text{ ml} \times 8 = 5600 \text{ ml}$
 $15 - 8 = 7$
 $700 \text{ ml} \times 2 = 1400 \text{ ml}$
 Remaining containers: $1400 \text{ ml} \times 7 = 9800 \text{ ml}$
 Water he used: $5600 \text{ ml} + 9800 \text{ ml} = 15400 \text{ ml}$

[Answers](#) | [Edit](#) | [Duplicate](#) | [Used In](#) | [Reorder](#)

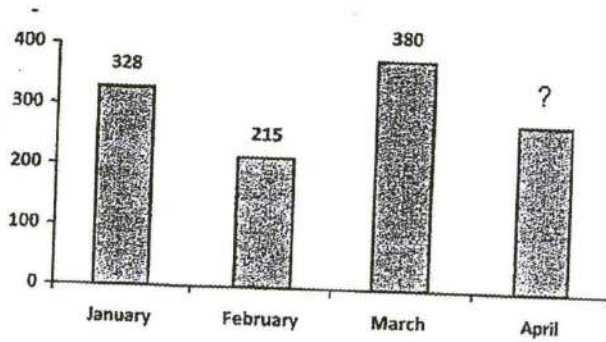
[Remove From Test](#)

Question 43

Primary 4 Maths » Primary 4 Math (Term 2)

4 pts

The bar graph below shows the number of books donated for 4 months but the number for April was missing. The total number of books donated from January to April was 1200. What was the greatest difference in the number of books donated in any 2 months? Give your answer to the nearest 10.



Accepted answers:

✓ 170

Question Type: Free Text
 Date Added: Thu 10th Sep 2020
 Last Modified: N/A
 QID#: 23,568,679

Correctly answered feedback

Jan to Mar: $380 + 328 + 215 = 923$
 Apr: $1200 - 923 = 277$
 Greatest difference: $380 - 215 = 165 \sim 170$

Incorrectly answered feedback

Jan to Mar: $380 + 328 + 215 = 923$
 Apr: $1200 - 923 = 277$
 Greatest difference: $380 - 215 = 165 \sim 170$

[Answers](#) | [Edit](#) | [Duplicate](#) | [Used In](#) | [Reorder](#)

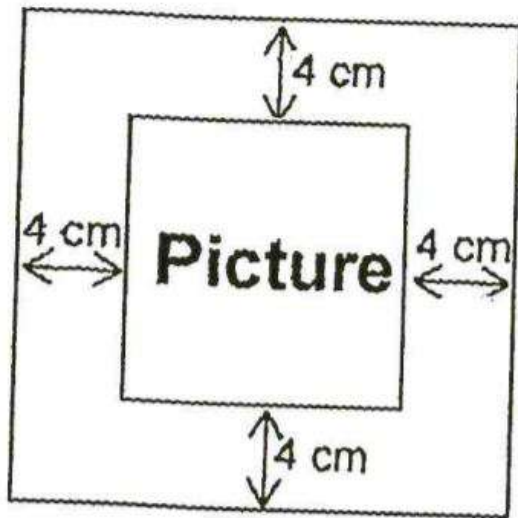
[Remove From Test](#)

Question 44

Primary 4 Maths » Primary 4 Math (Term 2)

4 pts

In the figure, a picture measuring 17 cm by 17 cm has a border of 4 cm around it. Find the area of the border.

**Accepted answers:**

- ✓ 336 cm square
- ✓ 336cm square
- ✓ 336 cm
- ✓ 336cm
- ✓ 336
- ✓ 336cm²
- ✓ 336 cm²

Question Type: Free Text
Date Added: Thu 10th Sep 2020
Last Modified: Mon 21st Sep 2020
QID#: 23,568,751

Correctly answered feedback

$17 + 4 + 4 = 25$ cm
 $25 \times 25 = 625$ cm
 $17 \times 17 = 289$
 $625 - 289 = 336$ cm²

Incorrectly answered feedback

$17 + 4 + 4 = 25$ cm
 $25 \times 25 = 625$ cm
 $17 \times 17 = 289$
 $625 - 289 = 336$ cm²

[Answers](#) |
 [Edit](#) |
 [Duplicate](#) |
 [Used In](#) |
 [Reorder](#)

[Remove From Test](#)

Question 45

Primary 4 Maths » Primary 4 Math (Term 2)

4 pts

In a hall, there are 85 rows of chairs and each row has 24 chairs. Two of these rows of chairs are brought into an empty classroom and to be re-arranged into rows of 8. How many rows are there in the classroom now?

Accepted answers:

✓ 6 Rows

✓ 6

Question Type: Free Text
Date Added: Thu 10th Sep 2020
Last Modified: N/A
QID#: 23,568,801

Correctly answered feedback

$2 \times 24 = 48$
 $48 / 8 = 6$ rows

Incorrectly answered feedback

$2 \times 24 = 48$
 $48 / 8 = 6$ rows

[Answers](#) | [Edit](#) | [Duplicate](#) | [Used In](#) | [Reorder](#)

[Remove From Test](#)

Question 46

Primary 4 Maths » Primary 4 Math (Term 2)

4 pts

The total length of 3 sticks is 3 m. The first stick has the same length as the second stick. The third stick is 24 cm longer than the first stick.
What is the total length of the first stick and third stick?

Accepted answers:

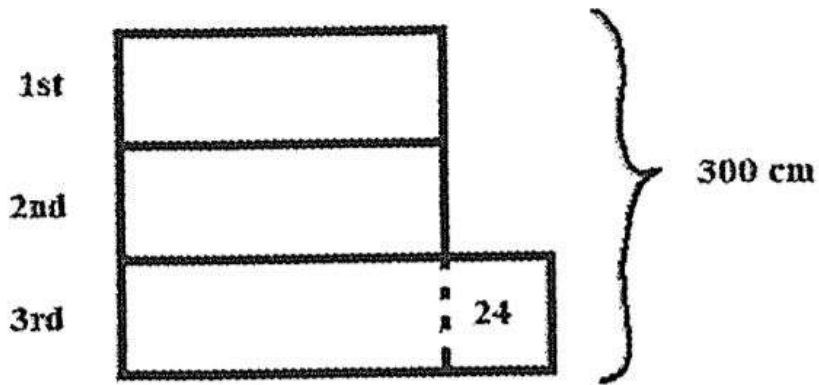
✓ 208

✓ 208cm

✓ 208 cm

Question Type: Free Text
Date Added: Thu 10th Sep 2020
Last Modified: Mon 21st Sep 2020
QID#: 23,568,914

Correctly answered feedback

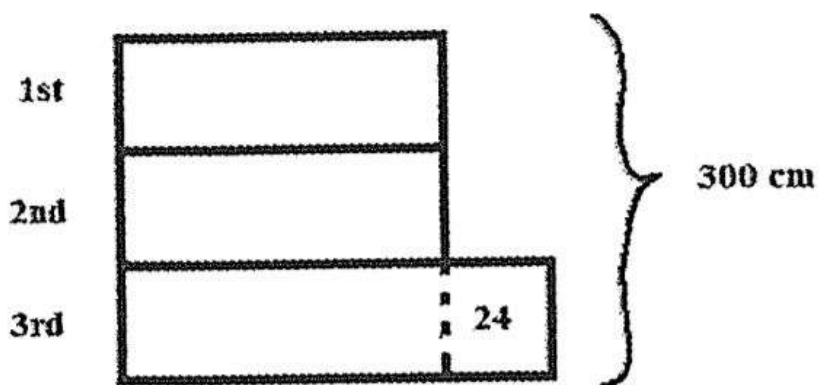


$$3 \text{ units} \rightarrow 300 - 24 = 276$$

$$1 \text{ unit} \rightarrow 276 \div 3 = 92$$

$$92 + 92 + 24 = \underline{208}$$

Incorrectly answered feedback



$$3 \text{ units} \rightarrow 300 - 24 = 276$$

$$1 \text{ unit} \rightarrow 276 \div 3 = 92$$

$$92 + 92 + 24 = \underline{208}$$

[Answers](#) | [Edit](#) | [Duplicate](#) | [Used In](#) | [Reorder](#)

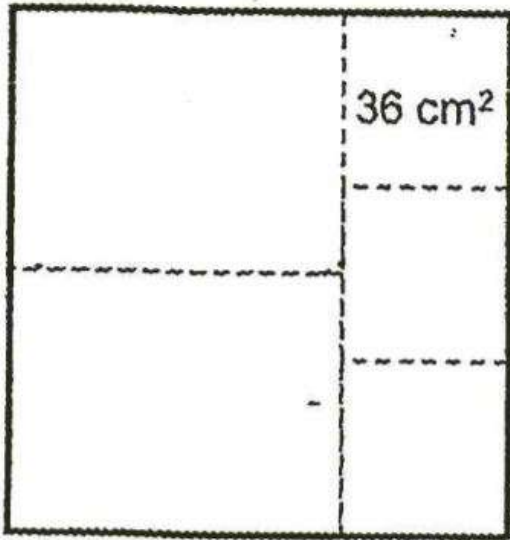
[Remove From Test](#)

Question 47

Primary 4 Maths » Primary 4 Math (Term 2)

4 pts

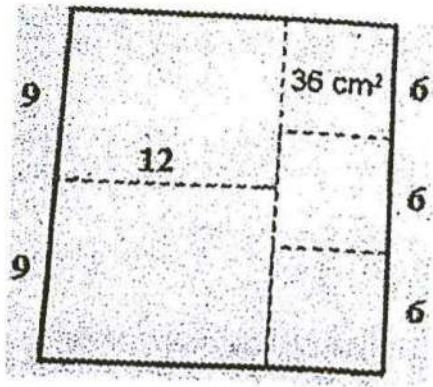
A square piece of paper is folded along the dotted lines to form 2 identical rectangles and 3 identical squares as shown in the figure below. The area of 1 square is 36 cm^2 . Find the area of 1 rectangle.

**Accepted answers:**

- ✓ 108
- ✓ 108cm square
- ✓ 108 cm square
- ✓ 108 cm
- ✓ 108cm
- ✓ 108cm2
- ✓ 108 cm2

Question Type: Free Text
Date Added: Thu 10th Sep 2020
Last Modified: Mon 21st Sep 2020
QID#: 23,569,001

Correctly answered feedback



1 side of square \rightarrow 6cm

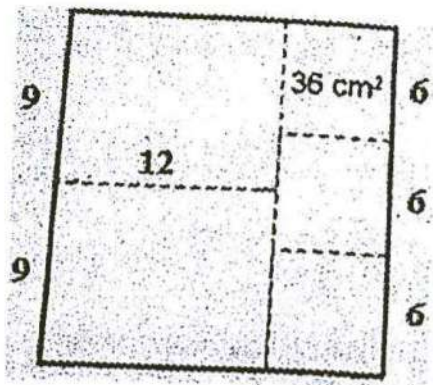
Entire length of paper $\rightarrow 6 \times 3 = 18$

Length of rectangle $\rightarrow 18 - 6 = 12$

Breadth of rectangle $\rightarrow 18 \div 2 = 9$

Area of 1 rectangle $\rightarrow 12 \times 9 = \underline{108\text{cm}^2}$

Incorrectly answered feedback



1 side of square \rightarrow 6cm

Entire length of paper $\rightarrow 6 \times 3 = 18$

Length of rectangle $\rightarrow 18 - 6 = 12$

Breadth of rectangle $\rightarrow 18 \div 2 = 9$

Area of 1 rectangle $\rightarrow 12 \times 9 = \underline{108\text{cm}^2}$

[Answers](#) | [Edit](#) | [Duplicate](#) | [Used In](#) | [Reorder](#)

[Remove From Test](#)

Question 48

Primary 4 Maths » Primary 4 Math (Term 2)

4 pts

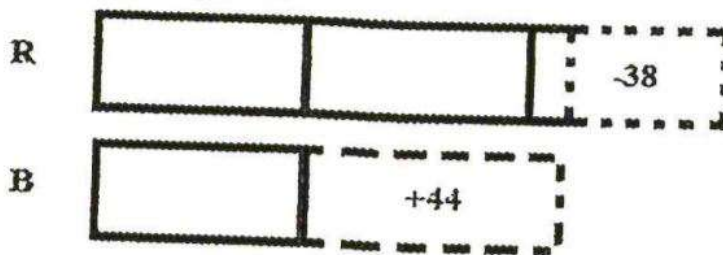
Jason had three times as many red marbles as blue marbles. During a game, he lost 38 red marbles and won another 44 blue marbles. He then had the same number of red and blue marbles. How many red marbles did he have after the game?

Accepted answers:

- ✓ 85
- ✓ 85 red marbles

Question Type: Free Text
 Date Added: Thu 10th Sep 2020
 Last Modified: N/A
 QID#: 23,569,058

Correctly answered feedback



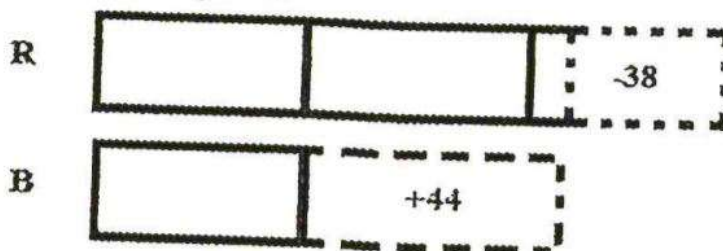
$$2 \text{ units} \rightarrow 38 + 44 = 82$$

$$1 \text{ unit} \rightarrow 82 \div 2 = 41$$

$$3 \text{ units} \rightarrow 41 \times 3 = 123$$

$$123 - 38 = \underline{85}$$

Incorrectly answered feedback



$$2 \text{ units} \rightarrow 38 + 44 = 82$$

$$1 \text{ unit} \rightarrow 82 \div 2 = 41$$

$$3 \text{ units} \rightarrow 41 \times 3 = 123$$

$$123 - 38 = \underline{85}$$

[↗ Answers](#) | [✎ Edit](#) | [📄 Duplicate](#) | [📌 Used In](#) | [⬆ Reorder](#)

[Remove From Test](#)

www.classmarker.com
