


 **Primary 4 Maths (Term 4) - ACS**  Duplicate Print Delete Assign Test**Test Introduction**[+ Add Introduction](#)**48 Questions** (98 Points)Question Bank: 19,950 Questions 

Test Questions

1 Test Assignment

Question 1

Primary 4 Maths » Primary 4 Math (Term 4)

2 pts

Section A (40 marks)

The value of the digit 1 in 38 419 is _____

- A) 10
- B) 100
- C) 1000
- D) 10 000

Question Type: Multiple Choice
Randomize Answers: No
Date Added: Wed 6th Jan 2021
Last Modified: N/A
QID#: 25,740,180

[Answers](#) | [Edit](#) | [Duplicate](#) | [Used In](#) | [Reorder](#)[Remove From Test](#)**Question 2**

Primary 4 Maths » Primary 4 Math (Term 4)

2 pts

Which of the following is a multiple of both 6 and 8?

- A) 14
- B) 24
- C) 36
- D) 64

Question Type: Multiple Choice
Randomize Answers: No
Date Added: Wed 6th Jan 2021
Last Modified: N/A
QID#: 25,740,182

[Answers](#) | [Edit](#) | [Duplicate](#) | [Used In](#) | [Reorder](#)

[Remove From Test](#)

Question 3

Primary 4 Maths » Primary 4 Math (Term 4)

2 pts

How many one-thirds are there in 3 wholes?

- A) 1
- B) 6
- C) 3
- ✓ D) 9

Question Type: Multiple Choice
Randomize Answers: No
Date Added: Wed 6th Jan 2021
Last Modified: N/A
QID#: 25,740,185

[Answers](#) | [Edit](#) | [Duplicate](#) | [Used In](#) | [Reorder](#)

[Remove From Test](#)

Question 4

Primary 4 Maths » Primary 4 Math (Term 4)

2 pts

$$\frac{4}{7} = \frac{\boxed{?}}{9}$$

What is the missing number in the box?

- A) 28
- B) 59
- C) 63
- ✓ D) 67

Question Type: Multiple Choice
Randomize Answers: No
Date Added: Wed 6th Jan 2021
Last Modified: N/A
QID#: 25,740,192

[Answers](#) | [Edit](#) | [Duplicate](#) | [Used In](#) | [Reorder](#)

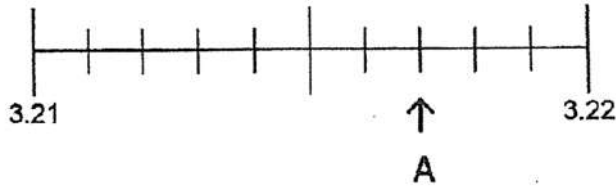
[Remove From Test](#)

Question 5

Primary 4 Maths » Primary 4 Math (Term 4)

2 pts

Which of the following decimals is represented by letter A in the number line?



- A) 3.22
- B) 3.27
- C) 3.212
- ✓ D) 3.217

Question Type: Multiple Choice
Randomize Answers: No
Date Added: Wed 6th Jan 2021
Last Modified: N/A
QID#: 25,740,197

[Answers](#) | [Edit](#) | [Duplicate](#) | [Used In](#) | [Reorder](#)

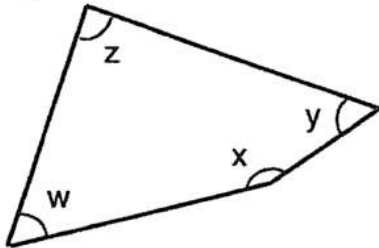
[Remove From Test](#)

Question 6

Primary 4 Maths » Primary 4 Math (Term 4)

2 pts

In the figure below, which angle is greater than a right angle?



- A) w
- ✓ B) x
- C) y
- D) z

Question Type: Multiple Choice
Randomize Answers: No
Date Added: Wed 6th Jan 2021
Last Modified: N/A
QID#: 25,740,203

[Answers](#) | [Edit](#) | [Duplicate](#) | [Used In](#) | [Reorder](#)

[Remove From Test](#)

Question 7

Primary 4 Maths » Primary 4 Math (Term 4)

2 pts

Which one of the following fractions is more than $2\frac{1}{2}$?

A)

$$\frac{5}{2}$$

✓ B)

$$\frac{8}{3}$$

C)

$$\frac{9}{5}$$

D)

$$\frac{10}{4}$$

Question Type: Multiple Choice
Randomize Answers: No
Date Added: Wed 6th Jan 2021
Last Modified: N/A
QID#: 25,740,214

[Answers](#) | [Edit](#) | [Duplicate](#) | [Used In](#) | [Reorder](#)

[Remove From Test](#)

Question 8

Primary 4 Maths » Primary 4 Math (Term 4)

2 pts

2001.8 is the same as _____

- A) 2 thousands and 180 hundreds
- B) 2 thousands and 180 tens
- C) 20 hundreds and 180 tenths
- ✓ D) 20 hundreds and 180 hundredths

Question Type: Multiple Choice
Randomize Answers: No
Date Added: Wed 6th Jan 2021
Last Modified: N/A
QID#: 25,740,223

[Answers](#) | [Edit](#) | [Duplicate](#) | [Used In](#) | [Reorder](#)

[Remove From Test](#)

Question 9

Primary 4 Maths » Primary 4 Math (Term 4)

2 pts

4.07 is 2 less than ____

- A) 2.07
- B) 4.05
- C) 4.09
- ✓ D) 6.07

Question Type: Multiple Choice
Randomize Answers: No
Date Added: Wed 6th Jan 2021
Last Modified: N/A
QID#: 25,740,230

[Answers](#) | [Edit](#) | [Duplicate](#) | [Used In](#) | [Reorder](#)

[Remove From Test](#)

Question 10

Primary 4 Maths » Primary 4 Math (Term 4)

2 pts

Which of the following letter has no line of symmetry?

- A) A
- B) C
- ✓ C) N
- D) O

Question Type: Multiple Choice
Randomize Answers: No
Date Added: Wed 6th Jan 2021
Last Modified: N/A
QID#: 25,740,234

[Answers](#) | [Edit](#) | [Duplicate](#) | [Used In](#) | [Reorder](#)

[Remove From Test](#)

Question 11

Primary 4 Maths » Primary 4 Math (Term 4)

2 pts

Mrs Heng bought a carton of 1L of milk. She gave the milk equally to her 4 children. How much milk did each child drink?

- A) 0.2L
- ✓ B) 0.25L
- C) 5L
- D) 4L

Question Type: Multiple Choice
Randomize Answers: No
Date Added: Wed 6th Jan 2021
Last Modified: N/A
QID#: 25,740,243

[Answers](#) | [Edit](#) | [Duplicate](#) | [Used In](#) | [Reorder](#)

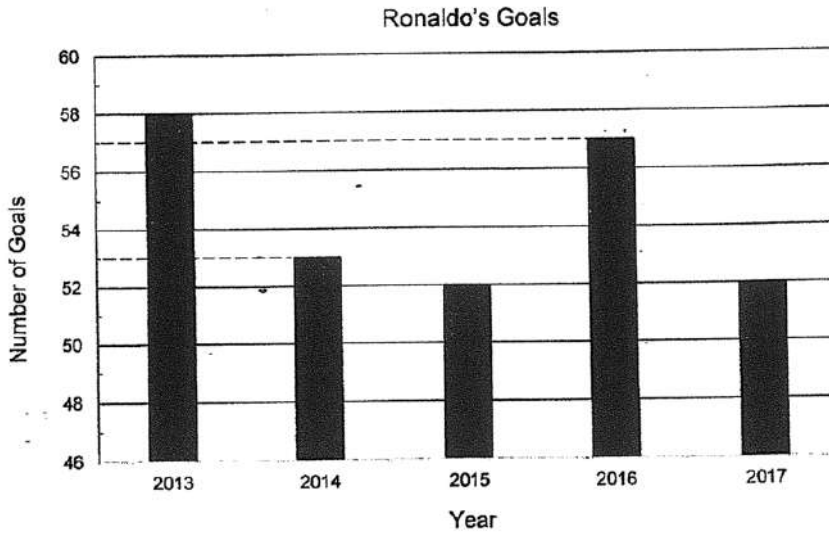
[Remove From Test](#)

Question 12

Primary 4 Maths » Primary 4 Math (Term 4)

2 pts

The bar graph below shows the number of goals Ronaldo scored from 2013 to 2017.



- A) 270
 B) 271
 ✓ C) 272
 D) 273

Question Type: Multiple Choice
Randomize Answers: No
Date Added: Wed 6th Jan 2021
Last Modified: N/A
QID#: 25,740,252

[Answers](#) | [Edit](#) | [Duplicate](#) | [Used In](#) | [Reorder](#)

[Remove From Test](#)

Question 13

Primary 4 Maths » Primary 4 Math (Term 4)

2 pts

Tim reached home at 1050. He read a book for 45minutes. He then did some exercises for 55 minutes.
 At what time did Tim finish his exercise?

- A) 11 35
 B) 11 45
 C) 12 20
 ✓ D) 12 30

Question Type: Multiple Choice
Randomize Answers: No
Date Added: Wed 6th Jan 2021
Last Modified: N/A
QID#: 25,740,483

[Answers](#) | [Edit](#) | [Duplicate](#) | [Used In](#) | [Reorder](#)

[Remove From Test](#)

Question 14

Primary 4 Maths » Primary 4 Math (Term 4)

2 pts

The following grid shows the position of A, B, C, D and E. Which letter is south-west of A?

					D	
	C		A			
		B				
					E	



- ✓ A) B
B) C
C) D
D) E

Question Type: Multiple Choice
Randomize Answers: No
Date Added: Wed 6th Jan 2021
Last Modified: N/A
QID#: 25,740,493

[Answers](#) | [Edit](#) | [Duplicate](#) | [Used In](#) | [Reorder](#)

[Remove From Test](#)

Question 15

Primary 4 Maths » Primary 4 Math (Term 4)

2 pts

The table below shows the number of times students were late from January to May. A total of 63 students were late for the 5 months.

Month	Jan	Feb	Mar	Apr	May
Number of students	16	13	12	7	?

How many pupils were late in May?

- A) 5
✓ B) 15
C) 22
D) 48

Question Type: Multiple Choice
 Randomize Answers: No
 Date Added: Wed 6th Jan 2021
 Last Modified: N/A
 QID#: 25,740,501

[Answers](#) | [Edit](#) | [Duplicate](#) | [Used In](#) | [Reorder](#)

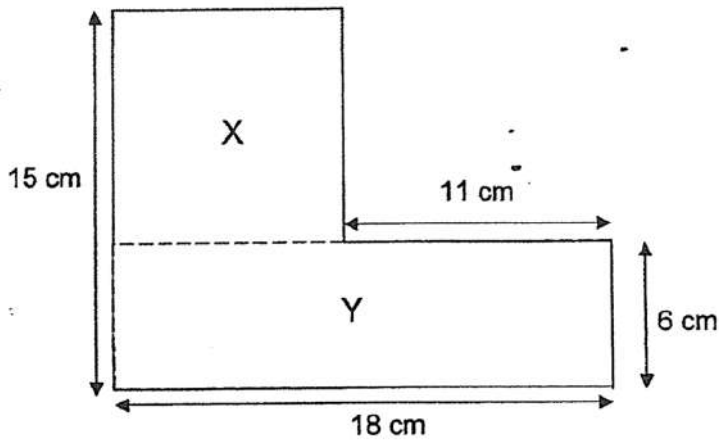
[Remove From Test](#)

Question 16

Primary 4 Maths » Primary 4 Math (Term 4)

2 pts

The figure below is made up of two rectangles, X and Y. What is the area of the figure?



- ✓ A) 171cm³
 B) 228cm³
 C) 273cm³
 D) 336cm³

Question Type: Multiple Choice
 Randomize Answers: No
 Date Added: Wed 6th Jan 2021
 Last Modified: N/A
 QID#: 25,740,505

[Answers](#) | [Edit](#) | [Duplicate](#) | [Used In](#) | [Reorder](#)

[Remove From Test](#)

Question 17

Primary 4 Maths » Primary 4 Math (Term 4)

2 pts

Isaac had $\frac{3}{5}$ kg of sugar. He had $\frac{1}{4}$ kg more than Caleb. What was the total mass of sugar they had altogether?

- A)

$$\frac{7}{20} \text{ kg}$$

B)

$$\frac{17}{20} \text{ kg}$$

✓ C)

$$\frac{19}{20} \text{ kg}$$

D)

$$1\frac{9}{20} \text{ kg}$$

Question Type: Multiple Choice
Randomize Answers: No
Date Added: Wed 6th Jan 2021
Last Modified: N/A
QID#: 25,740,514

[Answers](#) | [Edit](#) | [Duplicate](#) | [Used In](#) | [Reorder](#)

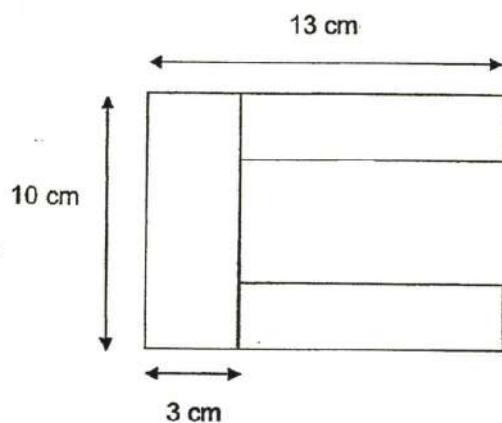
[Remove From Test](#)

Question 18

Primary 4 Maths » Primary 4 Math (Term 4)

2 pts

The figure below is made up of 3 rectangles. What is the perimeter of the figure?



- A) 46cm
B) 56cm
✓ C) 66cm
D) 76cm

Question Type: Multiple Choice
Randomize Answers: No
Date Added: Wed 6th Jan 2021
Last Modified: N/A
QID#: 25,740,519

[Answers](#) | [Edit](#) | [Duplicate](#) | [Used In](#) | [Reorder](#)

[Remove From Test](#)

Question 19

Primary 4 Maths » Primary 4 Math (Term 4)

2 pts

Andrea had 76 more erasers than Ben at first. After Andre bought another 20 erasers, he had 3 times as many erasers as Ben. How many erasers did Ben have at first?

- A) 32
- ✓ B) 48
- C) 96
- D) 288

Question Type: Multiple Choice
Randomize Answers: No
Date Added: Wed 6th Jan 2021
Last Modified: N/A
QID#: 25,740,532

[Answers](#) | [Edit](#) | [Duplicate](#) | [Used In](#) | [Reorder](#)

[Remove From Test](#)

Question 20

Primary 4 Maths » Primary 4 Math (Term 4)

2 pts

Mr Kumar packed 138 pens into boxes. Each box contained 8 pens. He sold each box of pens at \$6 and each remaining pen at \$1 each. How much would he collect if he sold all the pens?

- A) \$102
- ✓ B) \$104
- C) \$108
- D) \$138

Question Type: Multiple Choice
Randomize Answers: No
Date Added: Wed 6th Jan 2021
Last Modified: N/A
QID#: 25,740,540

[Answers](#) | [Edit](#) | [Duplicate](#) | [Used In](#) | [Reorder](#)

[Remove From Test](#)

Question 21

Primary 4 Maths » Primary 4 Math (Term 4)

2 pts

Section B: 40 marks

Write eighty thousand and eighteen in figures.

Accepted answers:

80018



80 018

Question Type: Free Text
Date Added: Wed 6th Jan 2021
Last Modified: N/A
QID#: 25,740,546

[Answers](#) | [Edit](#) | [Duplicate](#) | [Used In](#) | [Reorder](#)

[Remove From Test](#)

Question 22

Primary 4 Maths » Primary 4 Math (Term 4)

2 pts

Two factors of 27 are 1 and 27, what are the other factors of 27?

Accepted answers:

- 3,9
- 3, 9
- 3,9
- 3 , 9
- 3 9
- 3 and 9

Question Type: Free Text
Date Added: Wed 6th Jan 2021
Last Modified: N/A
QID#: 25,740,554

[Answers](#) | [Edit](#) | [Duplicate](#) | [Used In](#) | [Reorder](#)

[Remove From Test](#)

Question 23

Primary 4 Maths » Primary 4 Math (Term 4)

2 pts

Subtract 468 from 954

Accepted answers:

- 486

Question Type: Free Text
Date Added: Wed 6th Jan 2021
Last Modified: N/A
QID#: 25,740,556

[Answers](#) | [Edit](#) | [Duplicate](#) | [Used In](#) | [Reorder](#)

[Remove From Test](#)

Question 24

Primary 4 Maths » Primary 4 Math (Term 4)

2 pts

Which two of the fractions below are equivalent to $\frac{6}{9}$?

✓ A)

$$\frac{2}{3}$$

B)

$$\frac{3}{6}$$

✓ C)

$$\frac{10}{15}$$

D)

$$\frac{8}{18}$$

Question Type: Multiple Response

Randomize Answers: No

Grade style: Full points if all answers are correct

Date Added: Wed 6th Jan 2021

Last Modified: N/A

QID#: 25,740,565

[Answers](#) | [Edit](#) | [Duplicate](#) | [Used In](#) | [Reorder](#)

[Remove From Test](#)

Question 25

Primary 4 Maths » Primary 4 Math (Term 4)

2 pts

What is the value of $\frac{5}{8} + \frac{3}{4}$?

Express your answer as a mixed number.

Accepted answers:

✓ 1 3/8

✓ 1 3 /8

✓ 1 3/ 8

✓ 1 3 / 8

✓ 13/8

Question Type: Free Text
Date Added: Wed 6th Jan 2021
Last Modified: N/A
QID#: 25,740,572

[Answers](#) | [Edit](#) | [Duplicate](#) | [Used In](#) | [Reorder](#)

[Remove From Test](#)

Question 26

Primary 4 Maths » Primary 4 Math (Term 4)

2 pts

Write 8 thousandths as a decimal

Accepted answers:

✓ 0.008

Question Type: Free Text
Date Added: Wed 6th Jan 2021
Last Modified: N/A
QID#: 25,740,573

[Answers](#) | [Edit](#) | [Duplicate](#) | [Used In](#) | [Reorder](#)

[Remove From Test](#)

Question 27

Primary 4 Maths » Primary 4 Math (Term 4)

2 pts

Match the options below from the smallest to the greatest:

Clue

Match

0.025

smallest

0.205

small

greatest

$\frac{1}{4}$

Question Type: Matching
Grade style: Full points if all answers are correct
Shuffle Mode: Shuffle Matches Only
Date Added: Wed 6th Jan 2021
Last Modified: N/A
QID#: 25,740,586

[Answers](#) | [Edit](#) | [Duplicate](#) | [Used In](#) | [Reorder](#)

[Remove From Test](#)

Question 28

Primary 4 Maths » Primary 4 Math (Term 4)

2 pts

Round 16.49 to the nearest whole number.

Accepted answers:

✓ 16

Question Type: Free Text
Date Added: Wed 6th Jan 2021
Last Modified: N/A
QID#: 25,740,590

[Answers](#) | [Edit](#) | [Duplicate](#) | [Used In](#) | [Reorder](#)

[Remove From Test](#)

Question 29

Primary 4 Maths » Primary 4 Math (Term 4)

2 pts

Express 567 min in hours and minutes

Accepted answers:

- ✓ 9h 27min
- ✓ 9 h 27 min

Question Type: Free Text
Date Added: Wed 6th Jan 2021
Last Modified: N/A
QID#: 25,740,598

[Answers](#) | [Edit](#) | [Duplicate](#) | [Used In](#) | [Reorder](#)

[Remove From Test](#)

Question 30

Primary 4 Maths » Primary 4 Math (Term 4)

2 pts

The table below shows the number of medals Joseph Schooling and Rikako Ikee won at the Asian Games 2018. They won a total of 12 medals. How many bronze medals did Joseph Schooling win?

Medal	Joseph Schooling	Rikako Ikee
Gold Medal	2	6
Silver Medal	0	1
Bronze Medal	?	0

Accepted answers:

- ✓ 3

Question Type: Free Text
Date Added: Wed 6th Jan 2021
Last Modified: N/A
QID#: 25,740,603

[Answers](#) | [Edit](#) | [Duplicate](#) | [Used In](#) | [Reorder](#)

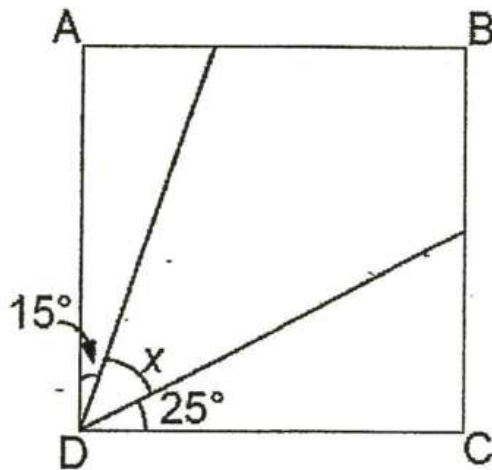
[Remove From Test](#)

Question 31

Primary 4 Maths » Primary 4 Math (Term 4)

2 pts

In the figure shown, ABCD is a square. Find $\angle x$.



Accepted answers:

- ✓ 50 Degree
- ✓ 50 Degrees
- ✓ 50

Question Type: Free Text
 Date Added: Wed 6th Jan 2021
 Last Modified: N/A
 QID#: 25,740,613

[Answers](#) | [Edit](#) | [Duplicate](#) | [Used In](#) | [Reorder](#)

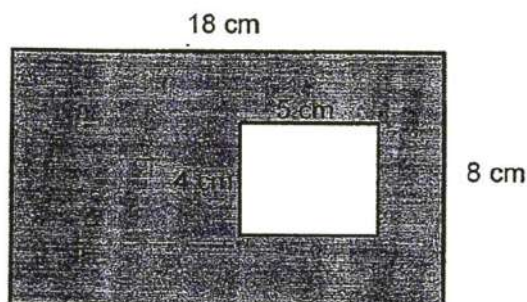
[Remove From Test](#)

Question 32

Primary 4 Maths » Primary 4 Math (Term 4)

2 pts

The figure below is made up of 2 rectangles. Find the area of the shaded part of the figure.



Accepted answers:

- ✓ 124cm2
- ✓ 124 cm2
- ✓ 124

Question Type: Free Text
Date Added: Wed 6th Jan 2021
Last Modified: N/A
QID#: 25,740,620

[Answers](#) |
 [Edit](#) |
 [Duplicate](#) |
 [Used In](#) |
 [Reorder](#)

[Remove From Test](#)

Question 33

Primary 4 Maths » Primary 4 Math (Term 4)

2 pts

Ali spent $\frac{3}{5}$ of his money on fidget spinners. He then had \$30 left. How much money did he have at first?

Accepted answers:

- ✓ \$75
- ✓ 75
- ✓ \$ 75

Question Type: Free Text
Date Added: Wed 6th Jan 2021
Last Modified: N/A
QID#: 25,740,627

[Answers](#) |
 [Edit](#) |
 [Duplicate](#) |
 [Used In](#) |
 [Reorder](#)

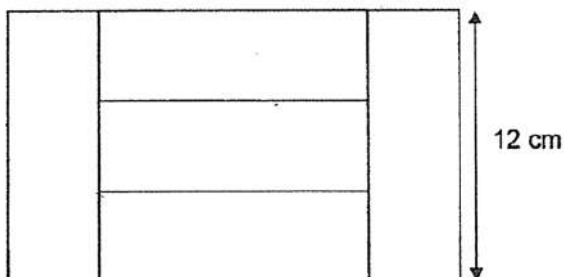
[Remove From Test](#)

Question 34

Primary 4 Maths » Primary 4 Math (Term 4)

2 pts

The figure below is made up of five similar rectangles. The length of each rectangle is 12 cm. What is the perimeter of the whole figure?



Accepted answers:

- ✓ 64cm
- ✓ 64 cm
- ✓ 64

Question Type: Free Text
 Date Added: Wed 6th Jan 2021
 Last Modified: N/A
 QID#: 25,740,633

[Answers](#) | [Edit](#) | [Duplicate](#) | [Used In](#) | [Reorder](#)

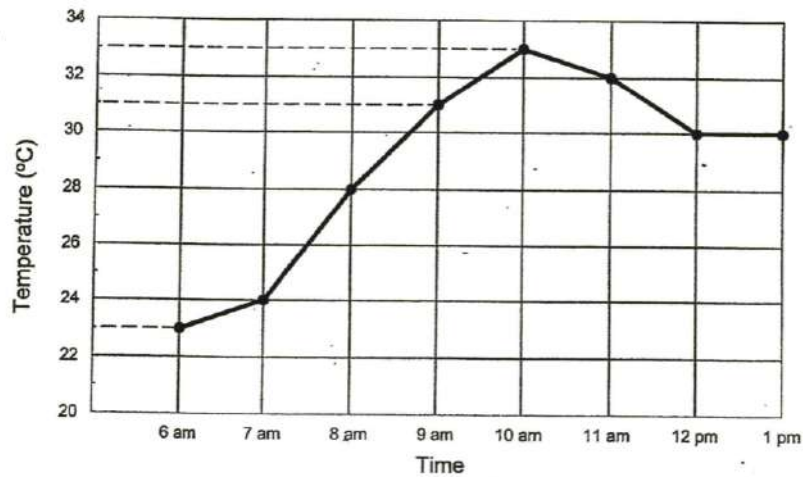
[Remove From Test](#)

Question 35

Primary 4 Maths » Primary 4 Math (Term 4)

2 pts

The line graph below shows the temperature of Bangkok on a particular day.



At what time was the highest temperature recorded? Leave your answer in 24^h clock.

Accepted answers:

- ✓ 1000
- ✓ 10 00

Question Type: Free Text
 Date Added: Wed 6th Jan 2021
 Last Modified: N/A
 QID#: 25,740,643

[Answers](#) | [Edit](#) | [Duplicate](#) | [Used In](#) | [Reorder](#)

[Remove From Test](#)

Question 36

Primary 4 Maths » Primary 4 Math (Term 4)

2 pts

During which 1-hour interval was the increase in temperature the greatest?

- A) 6am to 7am
- ✓ B) 7am to 8am
- C) 9am to 10am
- D) 10am to 11am
- E) 11am to 12pm
- F) 12pm to 1pm

Question Type: Multiple Choice
Randomize Answers: No
Date Added: Wed 6th Jan 2021
Last Modified: N/A
QID#: 25,740,656

[Answers](#) |
 [Edit](#) |
 [Duplicate](#) |
 [Used In](#) |
 [Reorder](#)

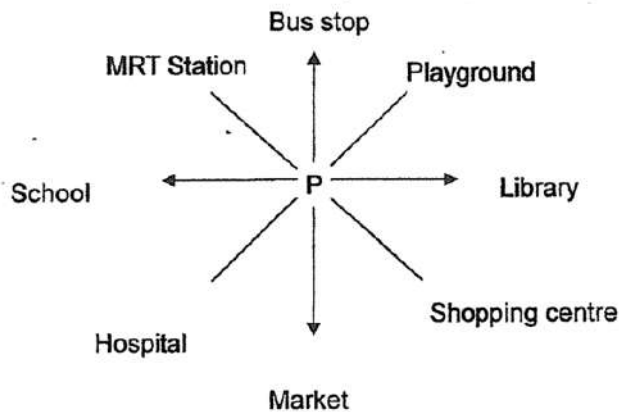
[Remove From Test](#)

Question 37

Primary 4 Maths » Primary 4 Math (Term 4)

2 pts

Julia is standing at the point P in the figure below. She is facing the playground. Where will she face if she makes a $\frac{3}{4}$ - turn in an anti-clockwise direction?



- A) Bus stop
- B) playground
- C) library
- ✓ D) shopping centre
- E) market
- F) hospital
- G) school
- H) MRT station

Question Type: Multiple Choice
Randomize Answers: No
Date Added: Wed 6th Jan 2021
Last Modified: N/A
QID#: 25,740,664

[Answers](#) | [Edit](#) | [Duplicate](#) | [Used In](#) | [Reorder](#)

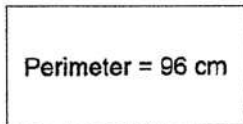
[Remove From Test](#)

Question 38

Primary 4 Maths » Primary 4 Math (Term 4)

2 pts

The perimeter of the rectangle shown below is 96 cm. The length of the rectangle is twice as long as its breadth. Find the area of the rectangle.



Accepted answers:

- ✓ 512cm²
- ✓ 512 cm²
- ✓ 512

Question Type: Free Text
Date Added: Wed 6th Jan 2021
Last Modified: N/A
QID#: 25,740,672

[Answers](#) | [Edit](#) | [Duplicate](#) | [Used In](#) | [Reorder](#)

[Remove From Test](#)

Question 39

Primary 4 Maths » Primary 4 Math (Term 4)

2 pts

Mrs Heng baked some cookies in the morning. She gave 128 cookies to her neighbour. She packed the remaining cookies into 9 jars. There were 34 cookies in each jar. How many cookies did Mrs Heng bake?

Accepted answers:

- ✓ 434
- ✓ 434 cookies

Question Type: Free Text
Date Added: Wed 6th Jan 2021
Last Modified: N/A
QID#: 25,740,688

[Answers](#) | [Edit](#) | [Duplicate](#) | [Used In](#) | [Reorder](#)

[Remove From Test](#)

Question 40

Primary 4 Maths » Primary 4 Math (Term 4)

2 pts

Section C: (20 marks)

Mr Alfred bought 3 packets of grapes. The mass of the packets of grapes were 0.5kg, 1.7kg and 2.2kg

a) What was the total mass of the grapes?

Accepted answers:

- ✓ 4.4kg
- ✓ 4.4 kg
- ✓ 4.4

Question Type: Free Text
Date Added: Wed 6th Jan 2021
Last Modified: N/A
QID#: 25,741,482

Correctly answered feedback

$0.5+1.7+2.2=4.4$

Incorrectly answered feedback

$0.5+1.7+2.2=4.4$

[↗ Answers](#) | [✎ Edit](#) | [📄 Duplicate](#) | [📌 Used In](#) | [⬇ Reorder](#)

[Remove From Test](#)

Question 41

Primary 4 Maths » Primary 4 Math (Term 4)

2 pts

b) The grapes were sold at \$6 per kg. Mr Alfred gave the cashier a \$100 note. How much change did he receive?

Accepted answers:

- ✓ \$73.60
- ✓ \$ 73.60
- ✓ 73.60

Question Type: Free Text
Date Added: Wed 6th Jan 2021
Last Modified: N/A
QID#: 25,741,542

Correctly answered feedback

$4.4 \times 6 = 26.40$
 $100 - 26.40 = 73.60$

Incorrectly answered feedback

$4.4 \times 6 = 26.40$
 $100 - 26.40 = 73.60$

[↗ Answers](#) | [✎ Edit](#) | [📄 Duplicate](#) | [📌 Used In](#) | [⬇ Reorder](#)

[Remove From Test](#)

Question 42

Primary 4 Maths » Primary 4 Math (Term 4)

2 pts

There were red, blue and yellow beads in a container. $\frac{3}{8}$ of the beads were red, $\frac{1}{3}$ were blue and the rest were yellow.

a) What fraction of the beads were yellow?

Accepted answers:

- ✓ 7/24
- ✓ 7 /24
- ✓ 7/ 24
- ✓ 7 / 24

Question Type: Free Text
 Date Added: Wed 6th Jan 2021
 Last Modified: N/A
 QID#: 25,741,563

Correctly answered feedback

$$\text{a) } \left(\frac{7}{24} \right)$$

$$1 - \frac{3}{8} - \frac{1}{3} = \frac{7}{24}$$

Incorrectly answered feedback

$$\text{a) } \left(\frac{7}{24} \right)$$

$$1 - \frac{3}{8} - \frac{1}{3} = \frac{7}{24}$$

[Answers](#) | [Edit](#) | [Duplicate](#) | [Used In](#) | [Reorder](#)

[Remove From Test](#)

Question 43

Primary 4 Maths » Primary 4 Math (Term 4)

2 pts

b) Given that there were 48 more red beads than yellow beads, how many beads were there altogether?

Accepted answers:

- ✓ 576

Question Type: Free Text

Correctly answered feedback

1 gap = 7
4 gaps = 28

Incorrectly answered feedback

1 gap = 7
4 gaps = 28

[Answers](#) | [Edit](#) | [Duplicate](#) | [Used In](#) | [Reorder](#)

[Remove From Test](#)

Question 45

Primary 4 Maths » Primary 4 Math (Term 4)

2 pts

b) What was the most number of balloons Roy could tie on the rope?

Accepted answers:

✓ 12

Question Type: Free Text
Date Added: Wed 6th Jan 2021
Last Modified: N/A
QID#: 25,741,596

Correctly answered feedback

$82.5/7 = 11 \text{ R } 5.5$
 $11+1=12$

Incorrectly answered feedback

$82.5/7 = 11 \text{ R } 5.5$
 $11+1=12$

[Answers](#) | [Edit](#) | [Duplicate](#) | [Used In](#) | [Reorder](#)

[Remove From Test](#)

Question 46

Primary 4 Maths » Primary 4 Math (Term 4)

2 pts

Ryan had 7 times as many rulers as pencils at first. Ryan then sold 36 rulers and bought another 36 pencils. He had the same number of rulers and pencils in the end.

a) How many pencils did Ryan have at first?

Accepted answers:

✓ 12

✓ 12 pencils

Question Type: Free Text
Date Added: Wed 6th Jan 2021
Last Modified: N/A
QID#: 25,741,659

Correctly answered feedback

$6U = 36 + 36 = 72$
 $1U = 12$

pencils represent $1U=12$

Incorrectly answered feedback

$6U= 36+36=72$
 $1U=12$
 pencils represent $1U=12$

[Answers](#) | [Edit](#) | [Duplicate](#) | [Used In](#) | [Reorder](#)

[Remove From Test](#)

Question 47

Primary 4 Maths » Primary 4 Math (Term 4)

2 pts

b) How many rulers did Ryan have in the end?

Accepted answers:

- ✓ 48
- ✓ 48 rulers

Question Type: Free Text
Date Added: Wed 6th Jan 2021
Last Modified: N/A
QID#: 25,741,663

Correctly answered feedback

Total no. ruler in the end = $4U= 4 \times 12=48$

Incorrectly answered feedback

Total no. ruler in the end = $4U= 4 \times 12=48$

[Answers](#) | [Edit](#) | [Duplicate](#) | [Used In](#) | [Reorder](#)

[Remove From Test](#)

Question 48

Primary 4 Maths » Primary 4 Math (Term 4)

4 pts

Some adults and children went to a charity event to watch a rugby match. The price of an adult ticket was \$2 and the price of a children's ticket was \$1. There were 4 times as many adults as children. The total amount collected from the tickets was \$1800. How many children went to the charity event?

Accepted answers:

- ✓ 200
- ✓ 200 children

Question Type: Free Text
Date Added: Wed 6th Jan 2021
Last Modified: N/A
QID#: 25,741,731

Correctly answered feedback

price of 4 adult ticket = 8
 price of 1 child ticket = 1
 Total price = 9
 children:adult

1:4
1800/9=200

Incorrectly answered feedback

price of 4 adult ticket = 8
price of 1 child ticket = 1
Total price = 9
children:adult
1:4
1800/9=200

[↗ Answers](#) | [✎ Edit](#) | [📄 Duplicate](#) | [📌 Used In](#) | [⬇ Reorder](#)

[Remove From Test](#)