

Test: Primary 4 Maths Term 4 (MGS) 2020

Points: 88 points

Name: _____

Score: _____

Date: _____

Signature: _____

Select multiple choice answers with a cross or tick:

- Only select one answer
- Can select multiple answers

Question 1 of 45

Primary 4 Math (Term 4) 2 pts

Section A (36 marks)

The value of the digit 1 in 61 450 is _____.

- A) 10
- B) 100
- C) 1000
- D) 10 000

Question 2 of 45

Primary 4 Math (Term 4) 2 pts

Which of the following numbers when rounded to the nearest ten becomes 75 900?

- A) 75 844
- B) 75 896
- C) 75 906
- D) 75 954

Question 3 of 45

Primary 4 Math (Term 4) 2 pts

Which of the following decimals is the greatest?

- A) 0.403
- B) 0.496
- C) 0.049
- D) 0.154

Question 4 of 45

Primary 4 Math (Term 4) 2 pts

How many one-fifths are there in 2 wholes?

 A)

$$\frac{2}{5}$$

 B)

$$2\frac{1}{2}$$

 C) 5 D) 10**Question 5 of 45**

Primary 4 Math (Term 4) 2 pts

Express 0.08 as a fraction in its simplest form.

 A)

$$\frac{1}{8}$$

 B)

$$\frac{1}{10}$$

 C)

$$\frac{2}{25}$$

 D)

$$\frac{4}{5}$$

Question 6 of 45

Primary 4 Math (Term 4) 2 pts

Round 63.57 to the nearest whole number.

 A) 60 B) 63 C) 64 D) 65

Question 7 of 45

Primary 4 Math (Term 4) 2 pts

8 is a factor of _____.

- A) 18
- B) 28
- C) 38
- D) 48

Question 8 of 45

Primary 4 Math (Term 4) 2 pts

Subtract 25.09 from 36.8

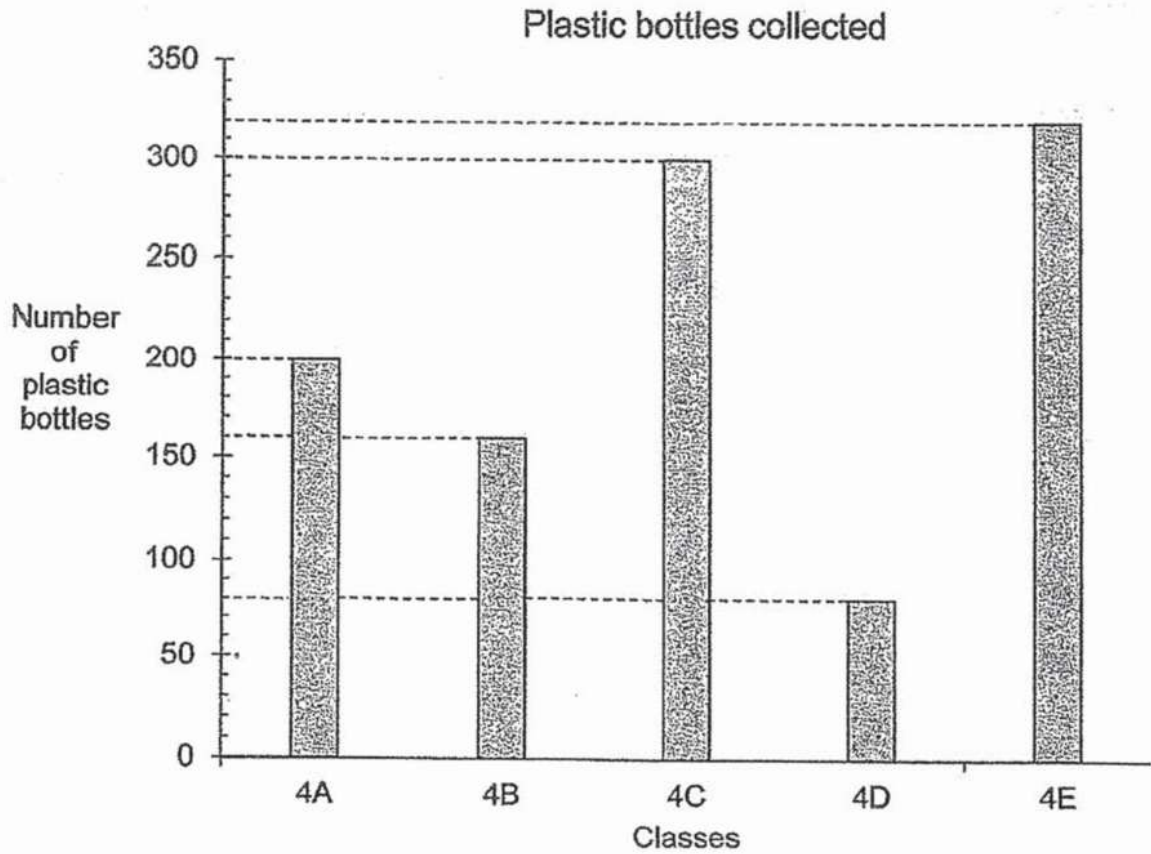
- A) 10.9
- B) 11.71
- C) 21.41
- D) 61.89

Question 9 of 45

Primary 4 Math (Term 4)

2 pts

The graph shows the number of plastic bottles collected by 5 classes for a recycling project.



Which class collected twice as many plastic bottles as Class 4B?

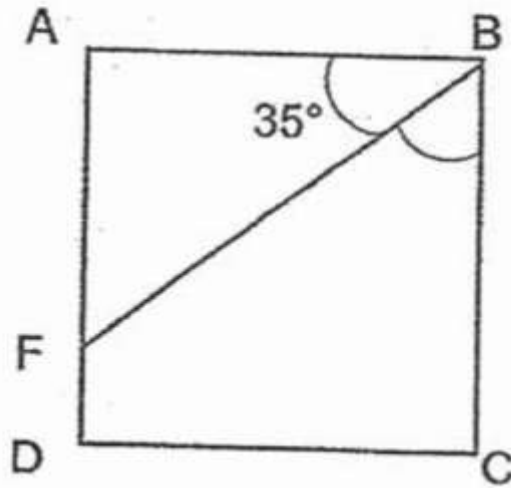
- A) Class 4A
- B) Class 4C
- C) Class 4D
- D) Class 4E

Question 10 of 45

Primary 4 Math (Term 4)

2 pts

In the figure below, ABCD is a square.
 $\angle ABF = 35^\circ$. Find $\angle FBC$.



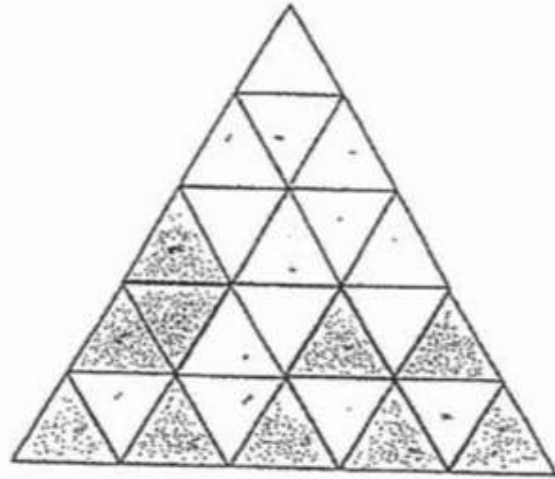
- A) 35
- B) 45
- C) 55
- D) 90

Question 11 of 45

Primary 4 Math (Term 4)

2 pts

The figure below is made up of identical triangles.



Sarah wants $\frac{3}{5}$ of the figure to be shaded.

How many more triangles must she shade?

- A) 1
- B) 5
- C) 8
- D) 10

Question 12 of 45

Primary 4 Math (Term 4)

2 pts

The mass of a school bag is 3.92kg when rounded to 2 decimal places. Which of the following could be the actual mass of the school bag?

- A) 3.913 kg
- B) 3.914 kg
- C) 3.924 kg
- D) 3.925 kg

Question 13 of 45

Primary 4 Math (Term 4) 2 pts

Mrs Siva went to the shopping mall at 8.30pm. She reached home 2 hours 35 minutes later. What time did she reach home? Give your answer in 24 hour clock.

-
- A) 23 05
- B) 23 00
- C) 17 55
- D) 11 05

Question 14 of 45

Primary 4 Math (Term 4) 2 pts

Ali has 2 pieces of wire.

One piece is $\frac{5}{6}$ m long and the other piece is $\frac{2}{3}$ m shorter.

What is the total length of the two pieces of wire?

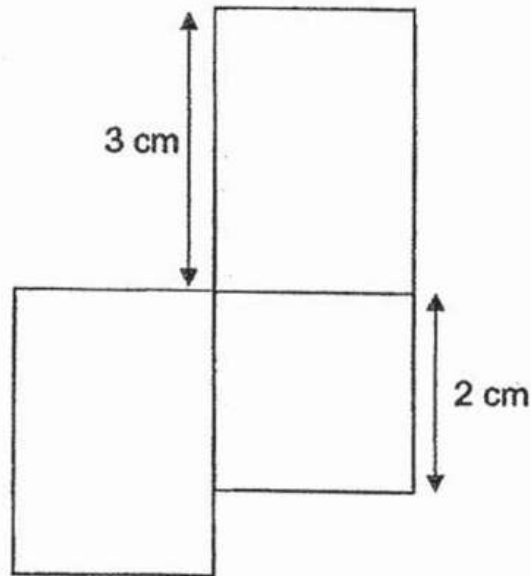
-
- A) 1 m
- B) $\frac{1}{6}$ m
- C) $1\frac{1}{2}$ m
- D) 6m

Question 15 of 45

Primary 4 Math (Term 4)

2 pts

The figure shown is made up of a square of side 2 cm and two identical rectangles of length 3 cm. What is the perimeter of the figure?



- A) 19 cm
- B) 20 cm
- C) 24 cm
- D) 28 cm

Question 16 of 45

Primary 4 Math (Term 4)

2 pts

Mandy started watching a TV programme at 10 15. It lasted for 45 minutes. She decided to paint after that. She stopped painting at 13 15. How long did she spend on painting?

- A) 3 h 00min
- B) 2 h 30 min
- C) 2 h 15 min
- D) 1 h 45 min

Question 17 of 45

Primary 4 Math (Term 4) 2 pts

Daniel had twice as many stamps as John at first. After John lost 409 stamps, Daniel had 4 times as many stamps as John. How many stamps did Daniel have?

- A) 818
- B) 1 227
- C) 1 636
- D) 2 045

Question 18 of 45

Primary 4 Math (Term 4) 2 pts

John took 20 minutes to walk to school from home.

He left his house at the time shown on the clock below.

The time on the clock was 10 minutes slower than the actual time.

What was the **actual** time he reached school?



- A) 07 05
- B) 07 15
- C) 07 25
- D) 07 35

Question 19 of 45

Primary 4 Math (Term 4) 2 pts

Section B (36 marks)

Write the missing number in the number pattern below.

41 369, 41 169, 40 969, _____, 40 569

Question 20 of 45

Primary 4 Math (Term 4) 2 pts

Some factors of 32 are 1,2,4 and 32. What are the other two factors of 32?

_____, _____

Question 21 of 45

Primary 4 Math (Term 4) 2 pts

What is the remainder when 6302 is divided by 7?

Question 22 of 45

Primary 4 Math (Term 4) 2 pts

Match the options below from the smallest to the greatest:

1. []

$$\frac{1}{2}$$

A. small

2. []

$$\frac{4}{7}$$

B. greatest

3. []

$$\frac{5}{7}$$

C. smallest

Question 23 of 45

Primary 4 Math (Term 4)

2 pts

$$\frac{2}{5} - \frac{1}{10} = \underline{\hspace{2cm}}$$

Question 24 of 45

Primary 4 Math (Term 4)

2 pts

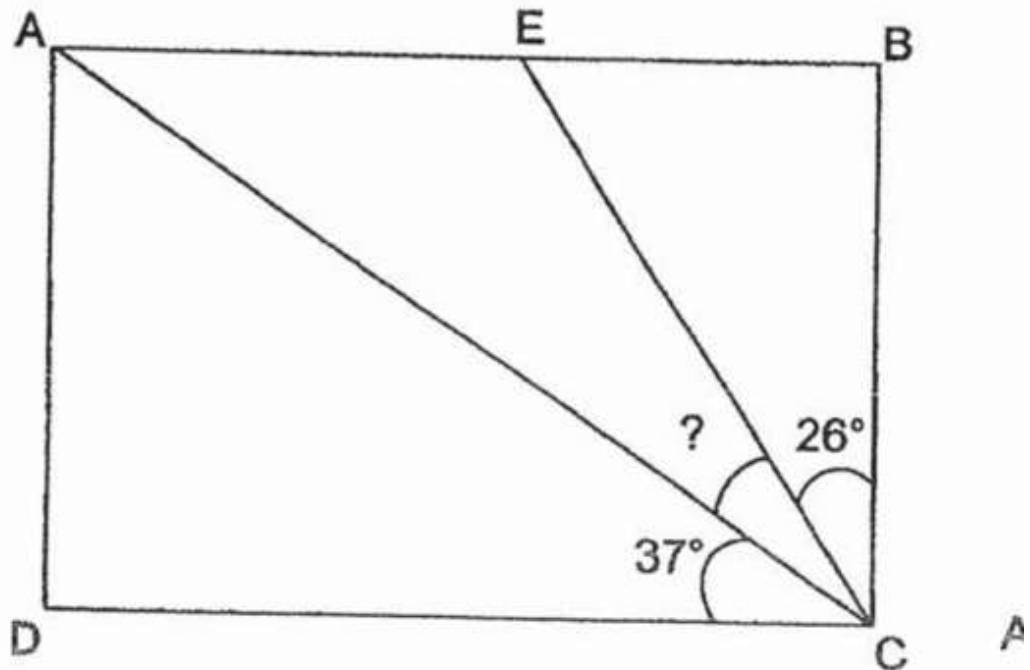
$$2.04 + 5 = \underline{\hspace{2cm}}$$

Question 25 of 45

Primary 4 Math (Term 4)

2 pts

In the figure shown, ABCD is a rectangle. Find $\angle ACE$.

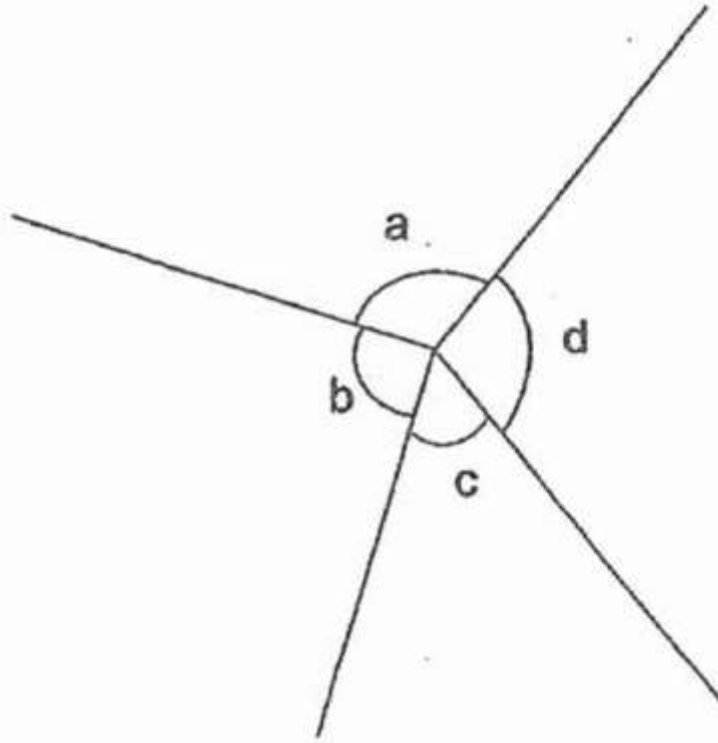


Question 26 of 45

Primary 4 Math (Term 4)

2 pts

In the figure below, name the smallest angle.



- A) a
- B) b
- C) c
- D) d

Question 27 of 45

Primary 4 Math (Term 4)

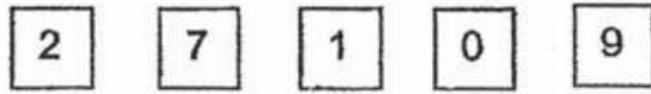
2 pts

$10.15 \times 7 = \underline{\hspace{2cm}}$

Question 28 of 45

Primary 4 Math (Term 4) 2 pts

Use the digits below to form the smallest 5-digit even number.

**Question 29 of 45**

Primary 4 Math (Term 4) 2 pts

Xiaowen wants to pack 1346 sweets into bags. Each bag can contain 6 sweets. What is the least number of bags Xiaowen needs to pack all the sweets?

Question 30 of 45

Primary 4 Math (Term 4) 2 pts

Ben had a container filled with 5 ℓ of water.

He poured $\frac{1}{6}$ ℓ into Bottle A and $\frac{7}{12}$ ℓ into Bottle B.

How much water was left in the container?

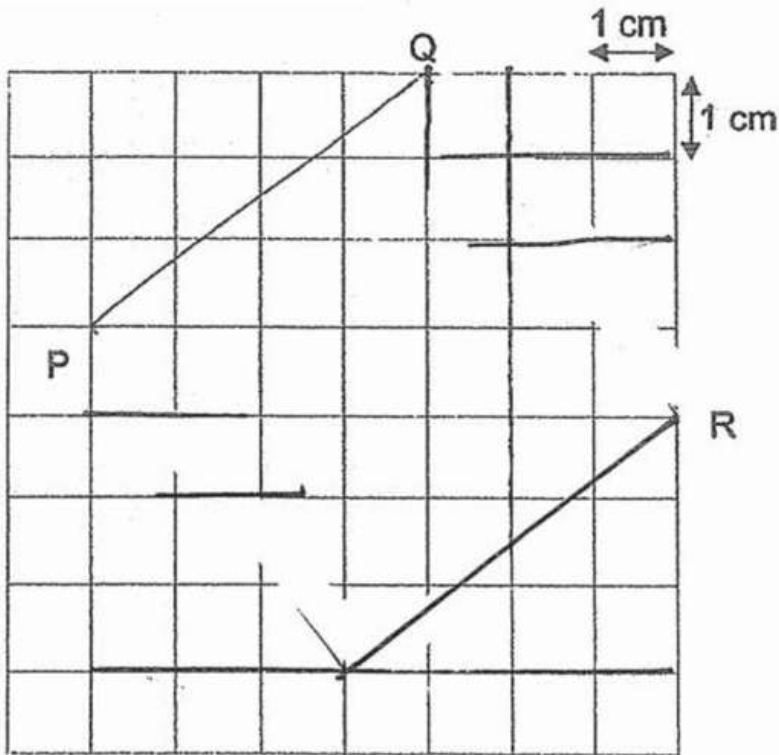
Question 31 of 45

Primary 4 Math (Term 4)

0 pts

In the square grid below, line PQ and line QR form two sides of a square.

(a) Complete the drawing of square PQRS in the square grid.



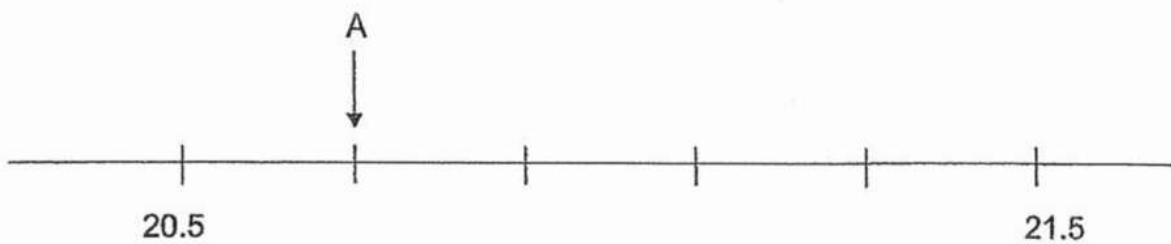
Please type "done" to proceed to the next question

Question 32 of 45

Primary 4 Math (Term 4)

2 pts

What is the value of A on the number line?



Question 33 of 45

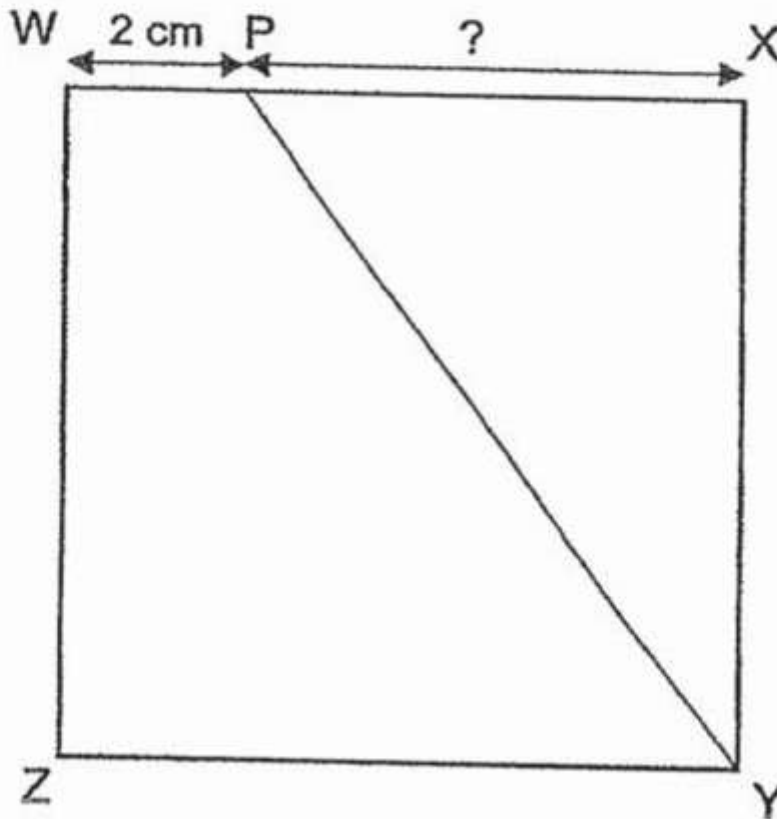
Primary 4 Math (Term 4) 2 pts

Govin took 2h 10 min to travel from home to his grandmother's house. He reached his grandmother's house at 1.30pm. What time did he leave home? Give your answer using the 24 hour clock.

Question 34 of 45

Primary 4 Math (Term 4) 2 pts

The figure shows a square $WXYZ$ of area 64 cm^2 .
The length of WP is 2 cm .
Find the length of PX .



Question 35 of 45

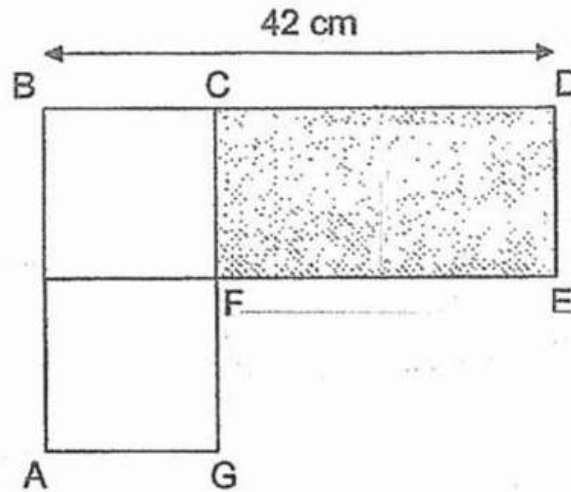
Primary 4 Math (Term 4) 2 pts

The figure below is made up of two identical squares and a rectangle.

The length of BD is 42 cm.

The length of AB is equal to the length of CD.

What is the area of the shaded rectangle CDEF?



Question 36 of 45

Primary 4 Math (Term 4) 2 pts

Huimin and her sister shared 4 m of cloth.

She used $\frac{1}{4}$ m of cloth while her sister used $\frac{1}{5}$ m more cloth than her.

How much cloth was left? Give your answer as a mixed number in the simplest form.

Question 37 of 45

Primary 4 Math (Term 4) 2 pts

Peter's Art teacher gave him 300 ice-cream sticks to paint.

She wanted $\frac{1}{6}$ of the ice-cream sticks to be painted yellow and the rest green.

(a) How many ice-cream sticks must be painted yellow?

Question 38 of 45

Primary 4 Math (Term 4) 2 pts

b) How many more ice-cream would be painted green than yellow?

Question 39 of 45

Primary 4 Math (Term 4) 2 pts

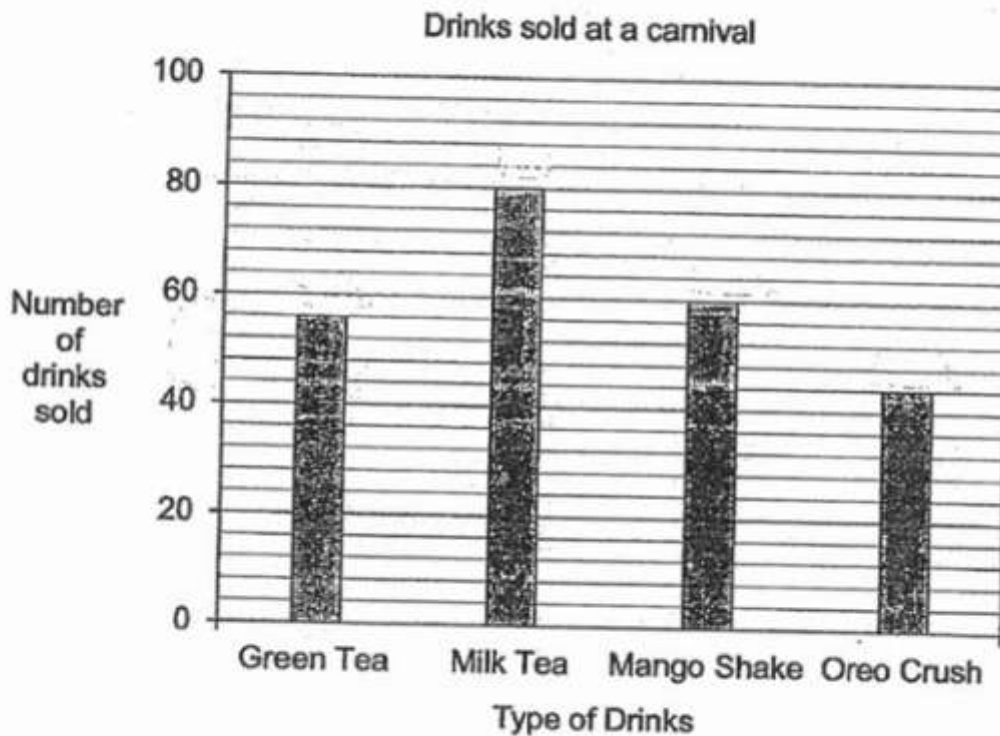
Mr Yan has \$500 at first. He gave Amanda three times as much money as Billy. He gave Billy twice as much money as Cassie. He was left with \$45.50 in the end. How much money did Cassie receive?

Question 40 of 45

Primary 4 Math (Term 4)

2 pts

The graph below shows the total number of drinks sold at a carnival on a particular day.



(a) The difference in the number between 2 types of drinks sold was 24.
Which 2 drinks were they?

- A) Green Tea
- B) Milk Tea
- C) Mango Shake
- D) Oreo Crush

Question 41 of 45

Primary 4 Math (Term 4)

2 pts

b) What was the total number of drinks sold at the carnival?

Question 42 of 45

Primary 4 Math (Term 4) 2 pts

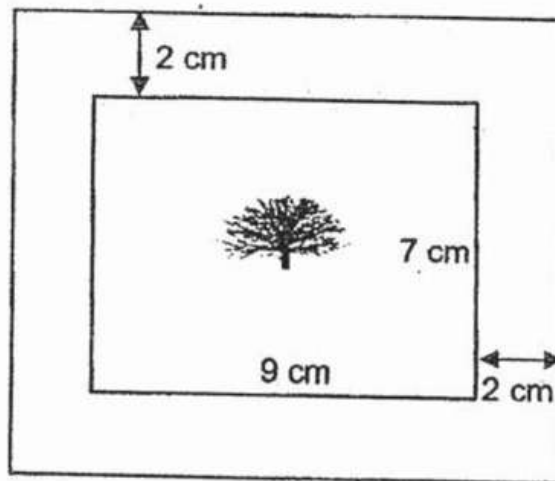
A thermometer cost 3 times as much as a box of masks. Mr Teng paid \$400 to buy similar boxes of masks and 2 similar thermometers. How much more did each thermometer cost than a box of masks?

Question 43 of 45

Primary 4 Math (Term 4) 2 pts

A photograph measuring 9 cm by 7 cm is placed on a cardboard leaving a 2-cm border around it.

Find the area of the cardboard not covered by the photograph.

**Question 44 of 45**

Primary 4 Math (Term 4) 2 pts

Gopal had 3 times as much money as Mariam. After Gopal used his money to buy 5 pencils at \$1.20 each, he had \$0.60 left. How much money did Mariam have?

Question 45 of 45

Primary 4 Math (Term 4) 2 pts

The total mass of a box and 10 identical packets of sugar is 4500g. The total mass of the same box and 3 identical packets of sugar is 2050g. What is the mass of the empty box?
