

**Test:** Primary 4 Maths Term 4 (Red Swastika) 2020

**Points:** 102 points

**Name:** \_\_\_\_\_

**Score:** \_\_\_\_\_

**Date:** \_\_\_\_\_

**Signature:** \_\_\_\_\_

Select multiple choice answers with a cross or tick:

- Only select one answer
- Can select multiple answers

**Question 1 of 55**

Primary 4 Math (Term 4) 2 pts

**Section A (40 marks)**

In the number 56 780, which digit is in the tens place?

- \_\_\_\_\_
- A) 5
- B) 6
- C) 7
- D) 8

**Question 2 of 55**

Primary 4 Math (Term 4) 2 pts

Which number below is 10 more than 3581?

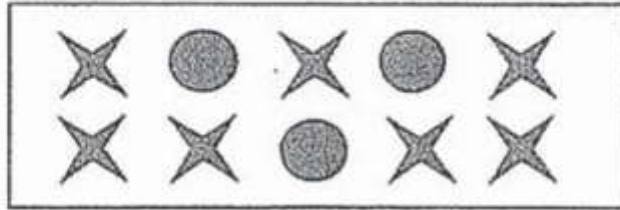
- \_\_\_\_\_
- A) 3582
- B) 3591
- C) 3681
- D) 4581

## Question 3 of 55

Primary 4 Math (Term 4)

2 pts

What fraction of the shapes in the box are ✖ ?



A)  $\frac{3}{10}$

B)  $\frac{3}{7}$

C)  $\frac{7}{10}$

D)  $\frac{7}{3}$

## Question 4 of 55

Primary 4 Math (Term 4)

2 pts

$$5\frac{3}{4} = \frac{\square}{4}$$

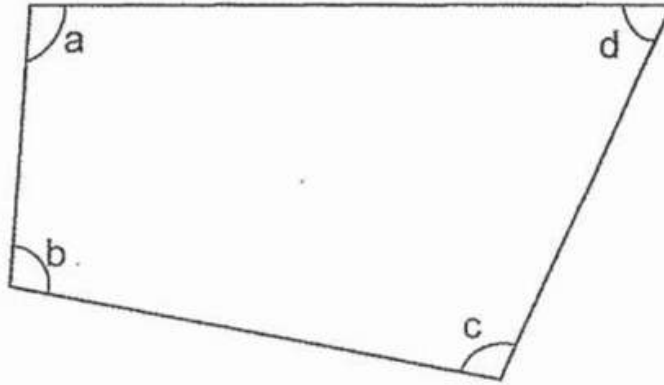
What is the missing number in the box?

- A) 15
- B) 17
- C) 20
- D) 23

**Question 5 of 55**

Primary 4 Math (Term 4) 2 pts

In the figure below, which angle is smaller than a right angle?



- A) a
- B) b
- C) c
- D) d

**Question 6 of 55**

Primary 4 Math (Term 4) 2 pts

Express 0.6 as a fraction in its simplest form.

- A)  $\frac{3}{50}$
- B)  $\frac{3}{5}$
- C)  $\frac{1}{60}$
- D)  $\frac{1}{6}$

**Question 7 of 55**

Primary 4 Math (Term 4) 2 pts

56 is not a multiple of \_\_\_\_\_.

---

- A) 8
- B) 7
- C) 6
- D) 4

**Question 8 of 55**

Primary 4 Math (Term 4) 2 pts

Shaun went into the library at 13 55. Given that Shaun stepped out of the library at 15 40, how long did he spend in the library?

---

- A) 105 mins
- B) 135 mins
- C) 145 mins
- D) 185 mins

**Question 9 of 55**

Primary 4 Math (Term 4) 2 pts

A number when rounded to the nearest thousand is 12 000. What is the greatest possible value of that number?

---

- A) 11 999
- B) 12 449
- C) 12 499
- D) 12 999

**Question 10 of 55**

Primary 4 Math (Term 4)

2 pts

The table below shows the number of \$1 coins, \$2 and \$5 notes collected by four students during the first hour of a fundraising event.

Student	\$1 coin	\$2 note	\$5 note
Alison	8	15	10
Beatrice	10	15	10
Charles	10	10	10
Danny	8	15	8

Who collected the most amount of money?

- A) Alison  
 B) Beatrice  
 C) Charles  
 D) Danny

**Question 11 of 55**

Primary 4 Math (Term 4)

2 pts

How many symmetric figure(s) is/are there below?

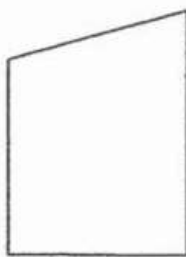


Figure A



Figure B



Figure C

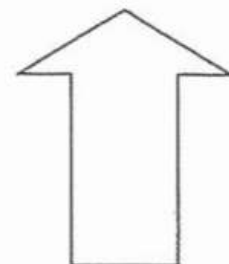


Figure D

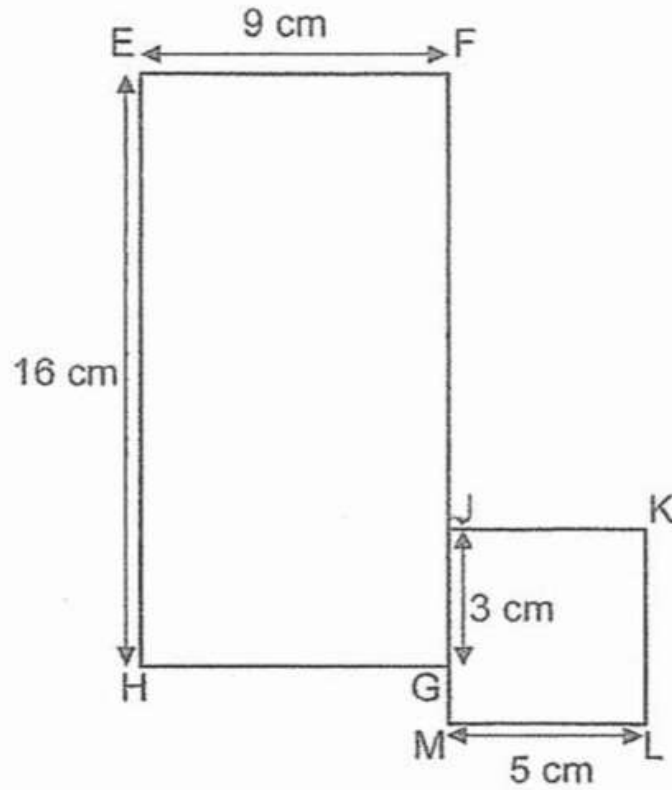
- A) 1  
 B) 2  
 C) 3  
 D) 4

## Question 12 of 55

Primary 4 Math (Term 4)

2 pts

The figure below is made up of rectangle EFGH and square JKLM. Find the sum of the length FJ and GM.

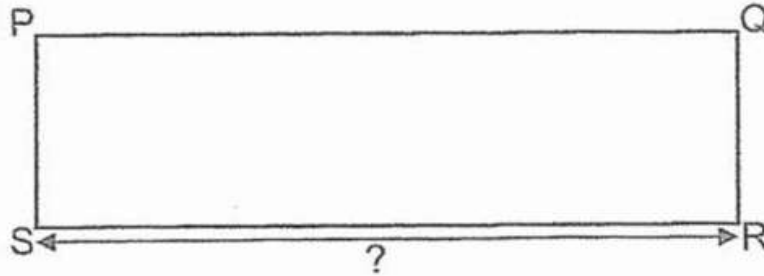


- A) 15cm
- B) 18cm
- C) 21cm
- D) 25 cm

**Question 13 of 55**

Primary 4 Math (Term 4) 2 pts

PQRS is a rectangle with its length thrice as long as its breadth as shown below. Find the length of rectangle PQRS given that its perimeter is 120 cm.

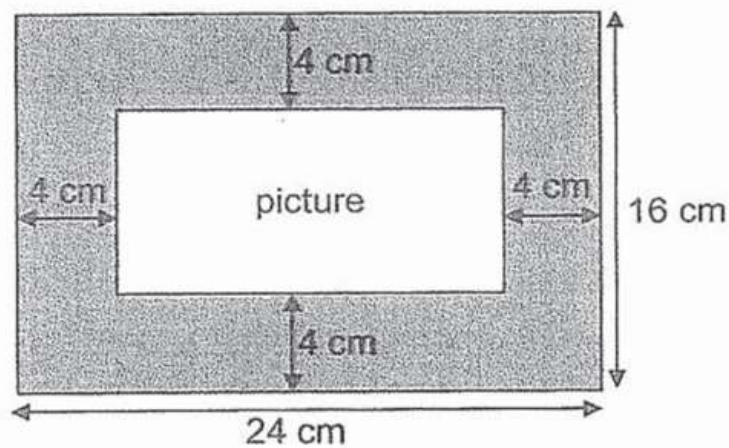


- A) 15cm
- B) 30cm
- C) 45cm
- D) 90cm

**Question 14 of 55**

Primary 4 Math (Term 4) 2 pts

A picture is mounted on a frame measuring 24 cm by 16 cm. It has a border of 4 cm around it. Find the area of the picture.

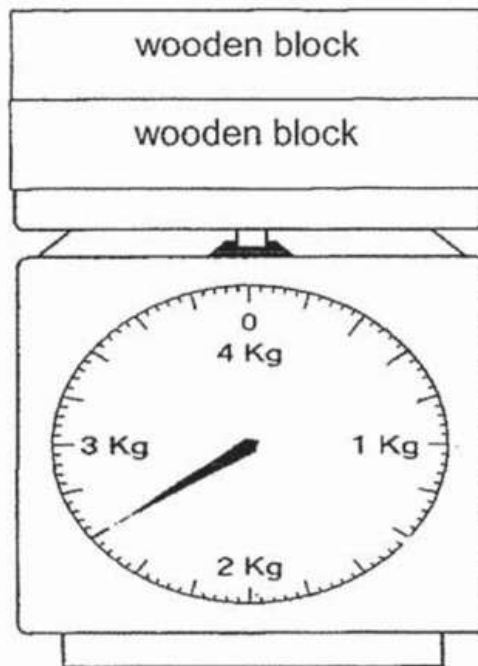


- A) 48 cm<sup>2</sup>
- B) 128 cm<sup>2</sup>
- C) 240 cm<sup>2</sup>
- D) 384 cm<sup>2</sup>

**Question 15 of 55**

Primary 4 Math (Term 4) 2 pts

The scale below shows the mass of two identical wooden blocks. Find the mass of one wooden block.



- A) 1.15kg
- B) 1.3kg
- C) 2.3kg
- D) 2.6kg

**Question 16 of 55**

Primary 4 Math (Term 4) 2 pts

Muthu wanted to buy two shirts that cost \$25.65 each, but he was short of \$14.20. How much money did Muthu have?

- A) \$11.45
- B) \$37.10
- C) \$39.85
- D) \$65.50



**Question 17 of 55**

Primary 4 Math (Term 4) 2 pts

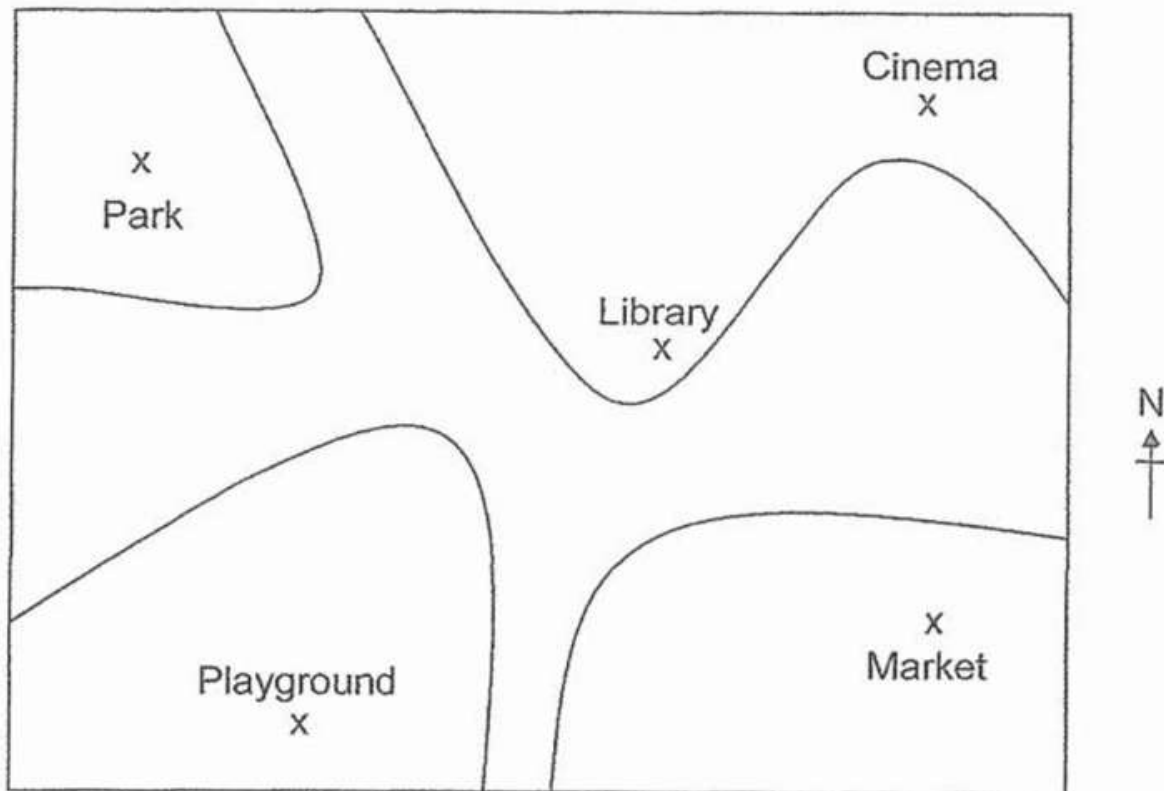
A machine took 36 minutes to make a box. Mr Ahmad turned on the machine to make 4 boxes continuously. At 5.30pm, he turned off the machine after it made 4 boxes. What time did he turn on the machine?

- A) 15 06
- B) 15 46
- C) 19 14
- D) 19 54

**Question 18 of 55**

Primary 4 Math (Term 4) 2 pts

The picture below shows a map of XYZ Neighbourhood.



The library is north-east of the \_\_\_\_\_.

- A) cinema
- B) market
- C) park
- D) playground

**Question 19 of 55**

Primary 4 Math (Term 4) 2 pts

Xavier, Yan Li and Zoe shared 1400 cards. Xavier had 200 fewer cards than Yan Li and twice as many cards as Zoe. How many card did Xavier have?

---

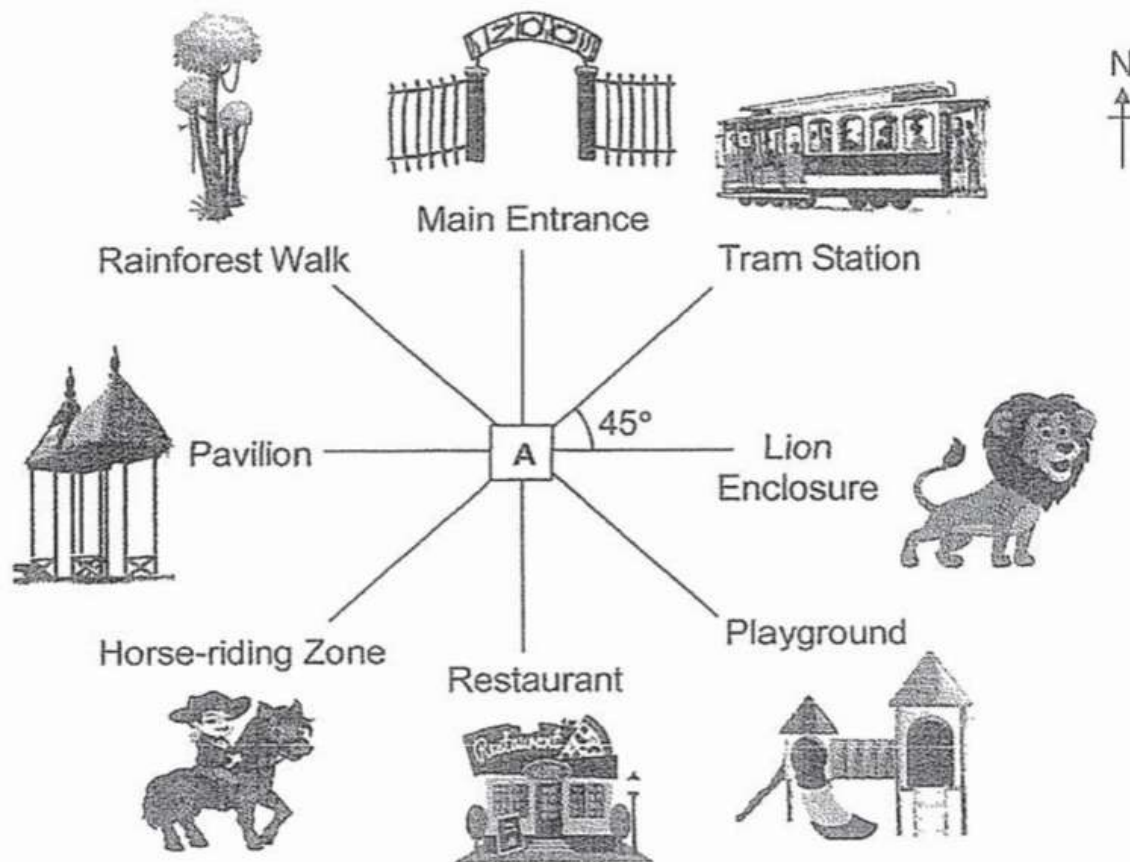
- A) 240
- B) 300
- C) 480
- D) 640

## Question 20 of 55

Primary 4 Math (Term 4)

2 pts

Vivian is standing at A facing south-west.



Vivian turns through an angle of  $225^\circ$  in an anti-clockwise direction. Then, she makes a \_\_\_\_\_ in the clockwise direction to face the lion enclosure.

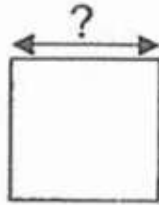
- A)  $\frac{1}{4}$ -turn
- B)  $\frac{1}{2}$ -turn
- C)  $\frac{3}{4}$ -turn
- D) 1 complete turn

**Question 21 of 55**

Primary 4 Math (Term 4)

1 pt

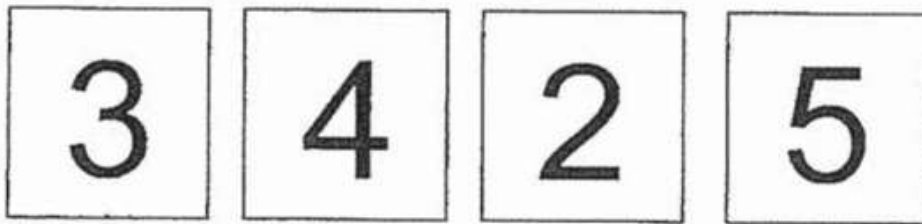
The perimeter of a square is 24 cm. What is its length?

**Question 22 of 55**

Primary 4 Math (Term 4)

1 pt

You are given four number cards.



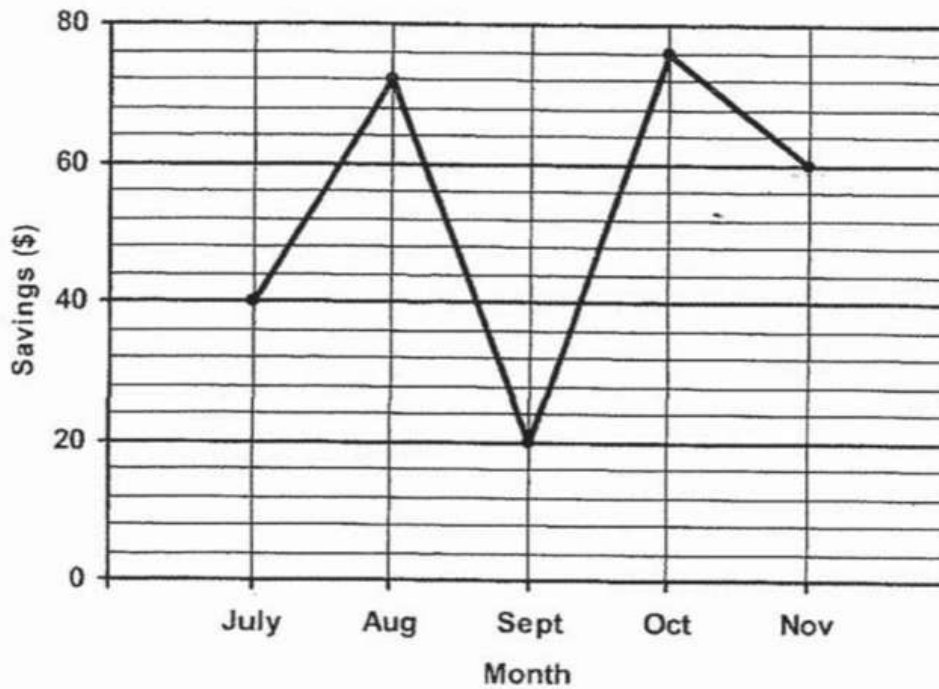
Arrange the cards to form the greatest 4-digit odd number.

## Question 23 of 55

Primary 4 Math (Term 4)

1 pt

The line graph below shows the amount of money Siti saved at the end of each month from July to November. Study the graph carefully and use it to answer Questions 24 to 26.



Find the sum of Siti's saving in July and August.

## Question 24 of 55

Primary 4 Math (Term 4)

1 pt

Which month did she save thrice as much as September?

- A) July
- B) August
- C) September
- D) October
- E) November

**Question 25 of 55**

Primary 4 Math (Term 4)

1 pt

What was the difference between Sit's highest and the lowest savings recorded on the graph?


---

**Question 26 of 55**

Primary 4 Math (Term 4)

1 pt

The table below shows the number of people who attended an event last weekend.

		Number of people
Male	Boys	15
	Men	18
Female	Girls	
	Women	25

$\frac{1}{2}$  of the people who attended the event were adults. Find the number of girls who attended the event.

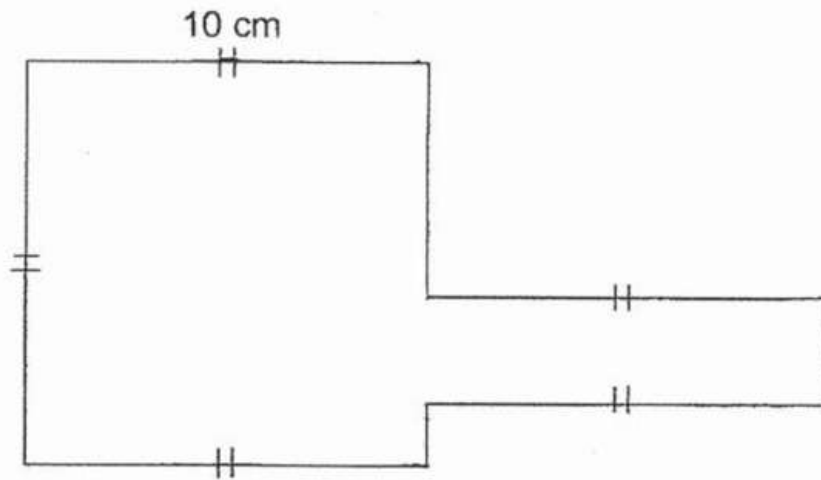
---

**Question 27 of 55**

Primary 4 Math (Term 4)

1 pt

In the figure below, all the lines meet at right angle. Find the perimeter of the figure.

**Question 28 of 55**

Primary 4 Math (Term 4)

1 pt

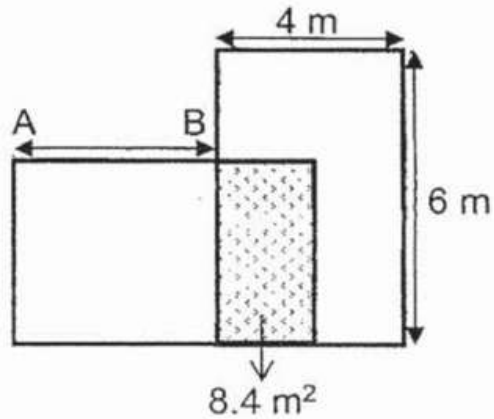
Jason's clock is 25 minutes slow. After spending 30 minutes on painting, the time on his clock was 11.15am. What was the actual time he started painting?

**Question 29 of 55**

Primary 4 Math (Term 4)

1 pt

Two rectangular mats, each 4 m by 6 m are placed on the floor as shown below. The mats overlap and the area of the floor covered by the overlap is  $8.4 \text{ m}^2$ . Find the length of AB.

**Question 30 of 55**

Primary 4 Math (Term 4)

1 pt

Write eleven thousand and thirty-four in figures.

---

**Question 31 of 55**

Primary 4 Math (Term 4)

1 pt

Find the product of 2150 and 3.

---

**Question 32 of 55**

Primary 4 Math (Term 4)

1 pt

Two factors of 10 are 1 and 10. What are the other two factors of 10

---



## Question 33 of 55

Primary 4 Math (Term 4)

1 pt

What is the value of  $\frac{5}{6} + \frac{2}{3}$ ?

Express your answer as a mixed number.

---

## Question 34 of 55

Primary 4 Math (Term 4)

1 pt

Which two of the fractions below are smaller than  $\frac{1}{2}$  ?

---

 A)

$$\frac{2}{5}$$

 B)

$$\frac{3}{6}$$

 C)

$$\frac{4}{7}$$

 D)

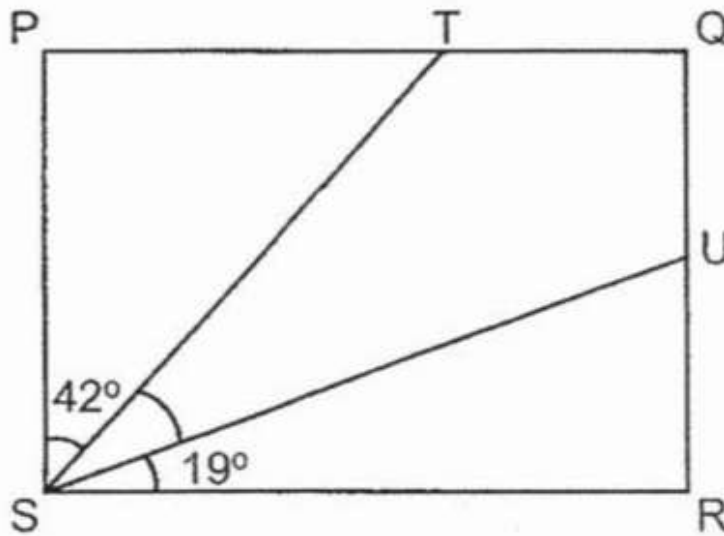
$$\frac{5}{12}$$

## Question 35 of 55

Primary 4 Math (Term 4)

1 pt

In the figure shown, PQRS is a rectangle. Find  $\angle TSU$ .



## Question 36 of 55

Primary 4 Math (Term 4)

1 pt

$$5.4 - 0.68 = \underline{\hspace{2cm}}$$

## Question 37 of 55

Primary 4 Math (Term 4)

1 pt

Match the options below in order from the greatest to the smallest:

1. [ ] 0.502

A. smallest

2. [ ] 0.205

B. greatest

3. [ ] 0.052

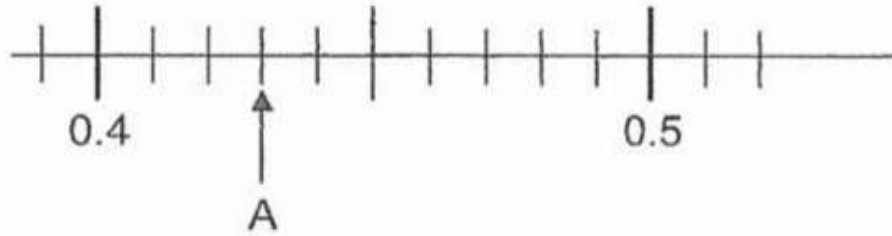
C. great

## Question 38 of 55

Primary 4 Math (Term 4)

1 pt

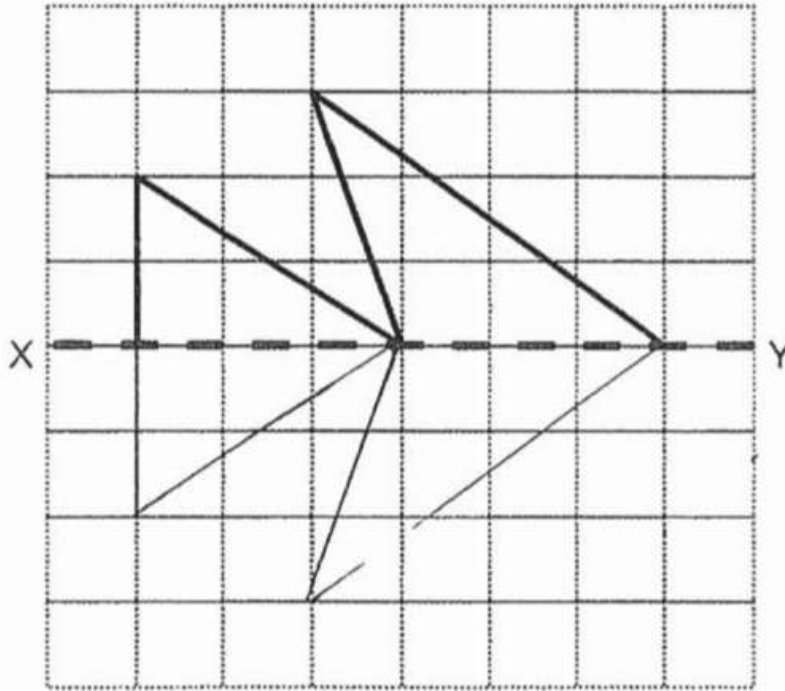
Write the decimal represented by A.



**Question 39 of 55**

Primary 4 Math (Term 4) 0 pts

Complete the symmetric figure below with XY as the line of symmetry.



Please type "done" to proceed to the next question

---

**Question 40 of 55**

Primary 4 Math (Term 4) 3 pts

A box contains red, blue and yellow beads.  $\frac{2}{5}$  of the beads are red. There are 42 blue beads and 18 yellow beads in the box. How many red beads are there in the box?

---

**Question 41 of 55**

Primary 4 Math (Term 4) 3 pts

Mr Rahim bought 10 muffins and 2 donuts from a bakery. The muffins were sold in packs of 2 for \$3.65 and MrRahim paid less than \$20 for all the muffins and donuts bought.

a) How much did Mr Rahim pay for the 10 muffins?

---

**Question 42 of 55**

Primary 4 Math (Term 4) 3 pts

b) Was a pack of 2 muffins cheaper or more expensive than the total cost of the 2 donuts?

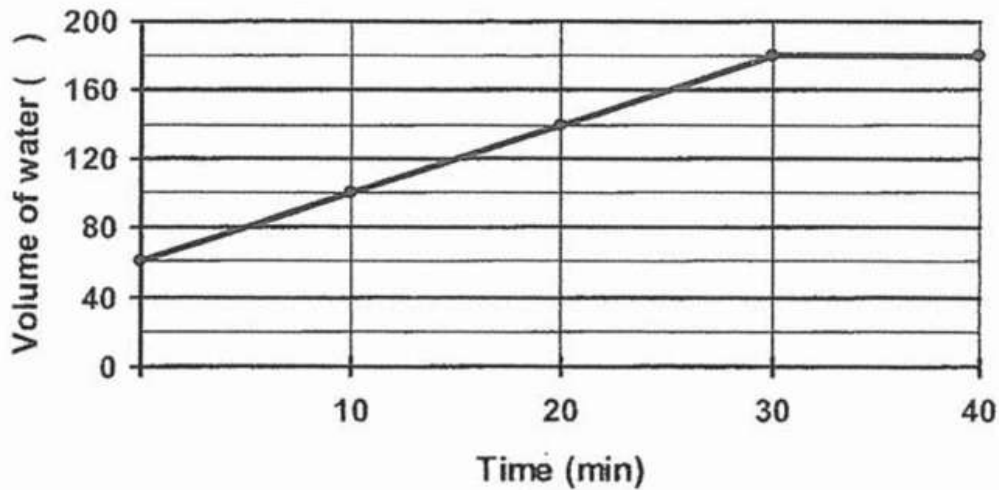
---

- A) cheaper
- B) more expensive

**Question 43 of 55**

Primary 4 Math (Term 4) 3 pts

A tank was partly filled with water at first. A tap was then turned on for 30 minutes to fill the tank completely. The line graph shows the volume of water in the tank at regular intervals of time for 40 minutes.



(a) How many litres of water were there in the tank at first?

---

**Question 44 of 55**

Primary 4 Math (Term 4) 3 pts

b) How many litres of water was added into the tank between the 10th and 30th minute?

---

**Question 45 of 55**

Primary 4 Math (Term 4) 3 pts

Leon bought 5.85 kg of flour. He used  $\frac{4}{5}$  of it to bake some cakes.

(a) Find the mass of flour he had left in kilograms.

---

**Question 46 of 55**

Primary 4 Math (Term 4) 3 pts

b) Leon then repacked the remaining flour really into 6 packets. What is the mass of the flour one each packet in kilograms?

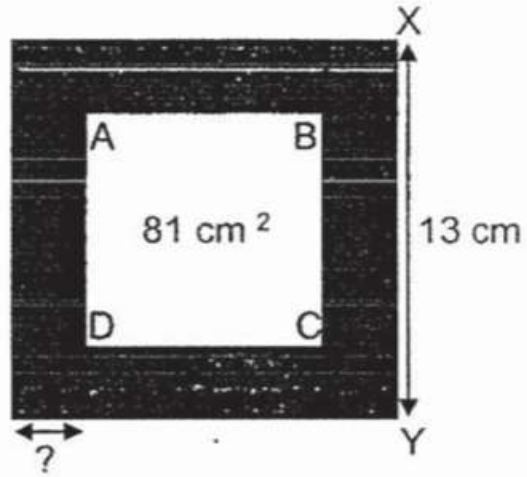
---

## Question 47 of 55

Primary 4 Math (Term 4)

3 pts

4 identical rectangles are arranged as shown below.  $XY$  is 13 cm and the unshaded area Square  $ABCD$  is  $81 \text{ cm}^2$ . Find the breadth of the rectangle.

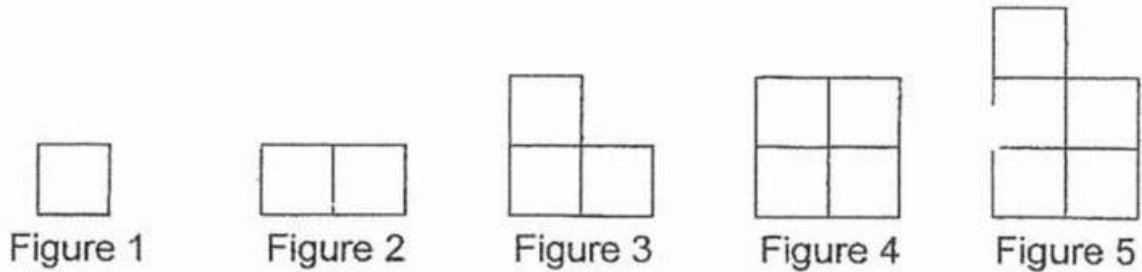


**Question 48 of 55**

Primary 4 Math (Term 4)

3 pts

Ali uses sticks to form figures that follow a pattern. The first five figures are shown below.



- (a) The table below shows the number of sticks used for each figure. Complete the table for Figure 6 and Figure 7.

Figure Number	Number of sticks used
1	4
2	7
3	10
4	12
5	15
6	
7	

---



---

**Question 49 of 55**

Primary 4 Math (Term 4)

3 pts

- b) What is the difference in the number of sticks Ali would use for Figure 9 and Figure 11?

---



**Question 50 of 55**

Primary 4 Math (Term 4) 3 pts

c) In which figure number would Ali use 40 sticks?

---

**Question 51 of 55**

Primary 4 Math (Term 4) 3 pts

Hazel had 80 more stickers than Jun Ming. Hazel gave 85 stickers to Jun Ming . In the end, Jun Ming had thrice as many stickers as Hazel.

a) How many stickers did Hazel had in the end?

---

**Question 52 of 55**

Primary 4 Math (Term 4) 3 pts

b) How many stickers did Jun Ming had at first?

---

**Question 53 of 55**

Primary 4 Math (Term 4) 3 pts

Mrs Tan had  $5\frac{4}{9}$  m of blue ribbon,  $5\frac{2}{3}$  m of red ribbon and  $6\frac{1}{3}$  m of green ribbon.

(a) Find the difference between the length of the longest and the shortest ribbon Mrs Tan had.

---

**Question 54 of 55**

Primary 4 Math (Term 4)

1 pt

Mrs Tan then used an equal length of the blue and red ribbon to tie a present.

Statement: After tying the present, Mrs Tan had a longer length of blue ribbon than red ribbon left

- 
- A)** True
- B)** False
- C)** Not possible to tell

**Question 55 of 55**

Primary 4 Math (Term 4)

1 pt

After tying the present, the length of the red ribbon was twice the length of the blue ribbon left

- 
- A)** True
- B)** False
- C)** Not possible to tell