

**Test:** Primary 4 Maths Term 4 (SCGS) 2020

**Points:** 85 points

**Name:** \_\_\_\_\_

**Score:** \_\_\_\_\_

**Date:** \_\_\_\_\_

**Signature:** \_\_\_\_\_

Select multiple choice answers with a cross or tick:

- Only select one answer
- Can select multiple answers

**Question 1 of 45**

Primary 4 Math (Term 4) 2 pts

**Section A (30 marks)**

The value of the digit 8 in 54 162 is \_\_\_\_\_

- A) 60
- B) 600
- C) 6000
- D) 60 000

**Question 2 of 45**

Primary 4 Math (Term 4) 2 pts

31 248 rounded to the nearest hundred is \_\_\_\_\_

- A) 31 000
- B) 31 200
- C) 31 300
- D) 32 000

**Question 3 of 45**

Primary 4 Math (Term 4) 2 pts

$20\,000 + 4000 + 100 + 8 =$  \_\_\_\_\_

- A) 24 180
- B) 24 108
- C) 24 018
- D) 20 418

**Question 4 of 45**

Primary 4 Math (Term 4) 2 pts

The digit 7 in 6.172 stands for 7 \_\_\_\_\_

---

- A) ones
- B) tens
- C) tenths
- D) hundredths

**Question 5 of 45**

Primary 4 Math (Term 4) 2 pts

Which one of the following decimals is the greatest?

---

- A) 0.542
- B) 0.512
- C) 0.052
- D) 0.135

**Question 6 of 45**

Primary 4 Math (Term 4) 2 pts

How many one-thirds are there in 3 wholes?

---

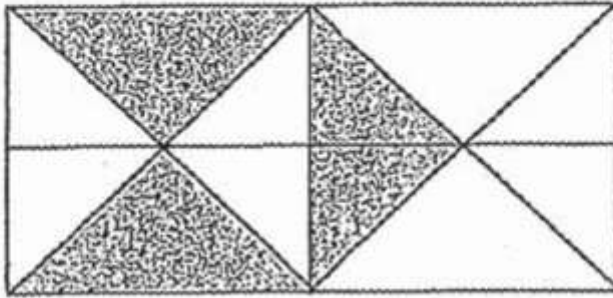
- A) 1
- B) 6
- C) 3
- D) 9

## Question 7 of 45

Primary 4 Math (Term 4)

2 pts

What fraction of the figure is shaded?

 A)

$$\frac{3}{8}$$

 B)

$$\frac{5}{8}$$

 C)

$$\frac{1}{3}$$

 D)

$$\frac{1}{4}$$

**Question 8 of 45**

Primary 4 Math (Term 4) 2 pts

Which fraction is greater than  $\frac{1}{2}$  ?

- A)  $\frac{2}{4}$
- B)  $\frac{2}{6}$
- C)  $\frac{3}{5}$
- D)  $\frac{4}{9}$

**Question 9 of 45**

Primary 4 Math (Term 4) 2 pts

Which of the following is a multiple of both 4 and 8?

- A) 12
- B) 2
- C) 16
- D) 4

**Question 10 of 45**

Primary 4 Math (Term 4) 2 pts

Write  $2\frac{9}{20}$  as a decimal.

- A) 2.045
- B) 2.29
- C) 2.45
- D) 2.9

**Question 11 of 45**

Primary 4 Math (Term 4) 2 pts

Round 75.49 to the nearest ten

- 
- A) 70
- B) 75
- C) 76
- D) 80

**Question 12 of 45**

Primary 4 Math (Term 4) 2 pts

What is the missing number?

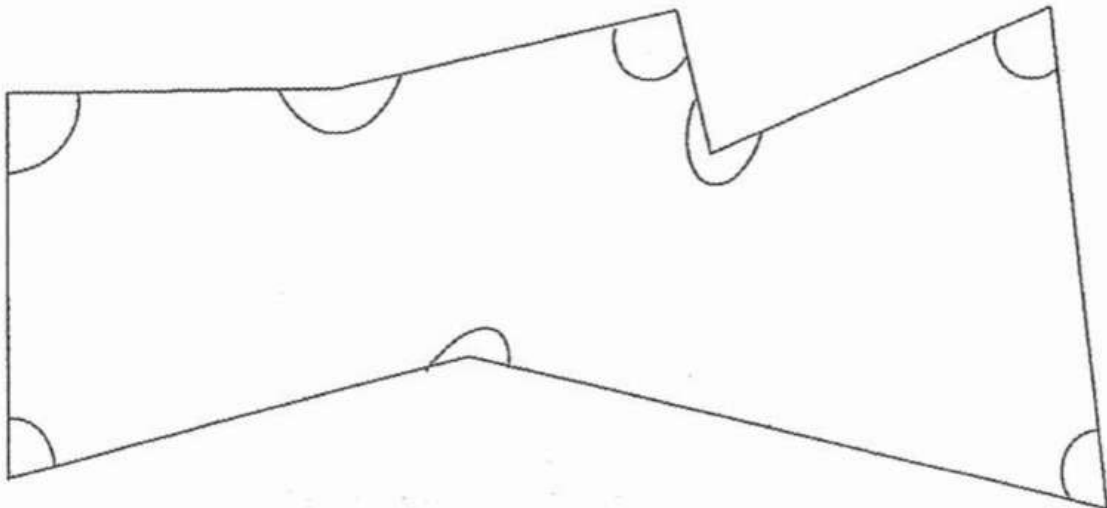
6.062, 5.842, \_\_\_\_\_, 5.402, 5.182

- 
- A) 5.622
- B) 5.662
- C) 6.062
- D) 6.662

**Question 13 of 45**

Primary 4 Math (Term 4) 1 pt

In the figure, how many of the marked angles are right angles?



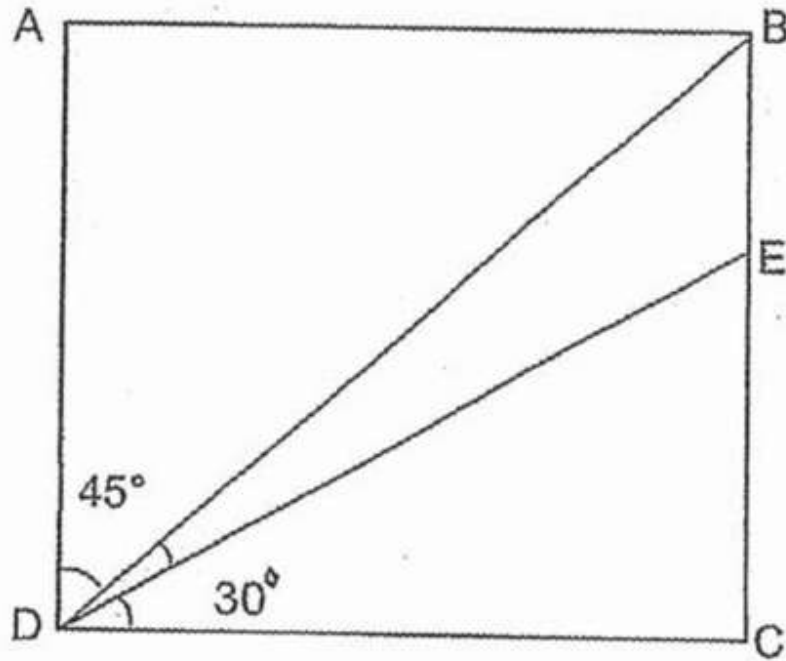
- 
- A) 1
- B) 2
- C) 3
- D) 4

## Question 14 of 45

Primary 4 Math (Term 4)

2 pts

In the figure shown, ABCD is a square. Find  $\angle BDE$ .

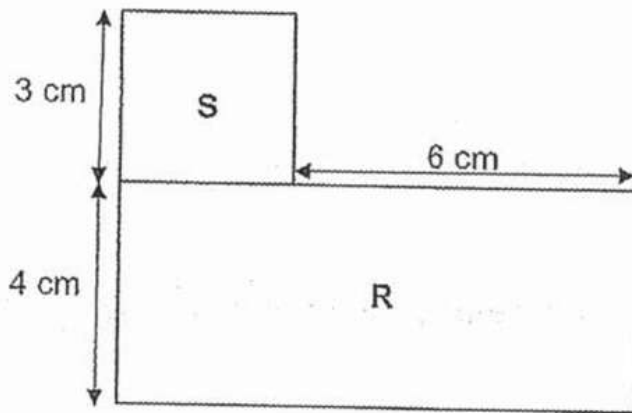


- A) 10
- B) 15
- C) 45
- D) 80

**Question 15 of 45**

Primary 4 Math (Term 4) 2 pts

The figure shown is made up of a square **S** of side 3 cm and a rectangle **R** with breadth 4 cm. What is the length of the rectangle?



- A) 10 cm
- B) 9 cm
- C) 3 cm
- D) 7 cm

**Question 16 of 45**

Primary 4 Math (Term 4) 2 pts

**Section B (40marks)**

Write 14 012 in words.

---

**Question 17 of 45**

Primary 4 Math (Term 4) 2 pts

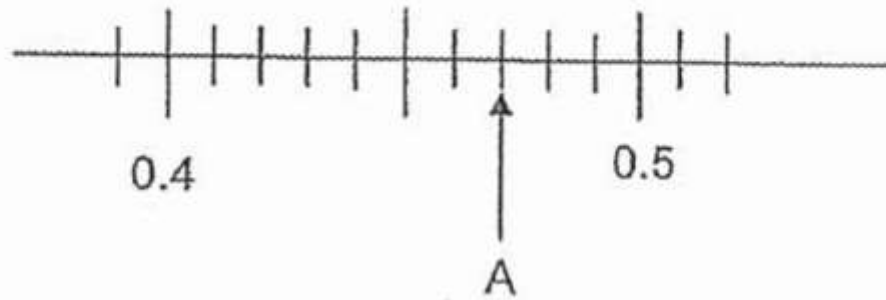
What is the remainder when 3126 is divided by 8?

---

**Question 18 of 45**

Primary 4 Math (Term 4) 2 pts

Write the decimal represented by A.

**Question 19 of 45**

Primary 4 Math (Term 4) 2 pts

Find the value of  $60.25 \times 9$

**Question 20 of 45**

Primary 4 Math (Term 4) 2 pts

Express  $\frac{4}{12}$  in its simplest form.

**Question 21 of 45**

Primary 4 Math (Term 4) 2 pts

Write  $\frac{19}{5}$  as a mixed number.



**Question 22 of 45**

Primary 4 Math (Term 4) 2 pts

Find the value of  $1 - \frac{1}{8} - \frac{1}{4}$ .

**Question 23 of 45**

Primary 4 Math (Term 4) 2 pts

Match the options below in order from the smallest to the greatest :

1. [ ] 0.085

A. smallest

2. [ ] 0.512

B. great

3. [ ] 0.609

C. greatest

4. [ ] 4.8

D. small

**Question 24 of 45**

Primary 4 Math (Term 4) 0 pts

XY is a straight line.

Draw a line perpendicular to XY passing through point Z.

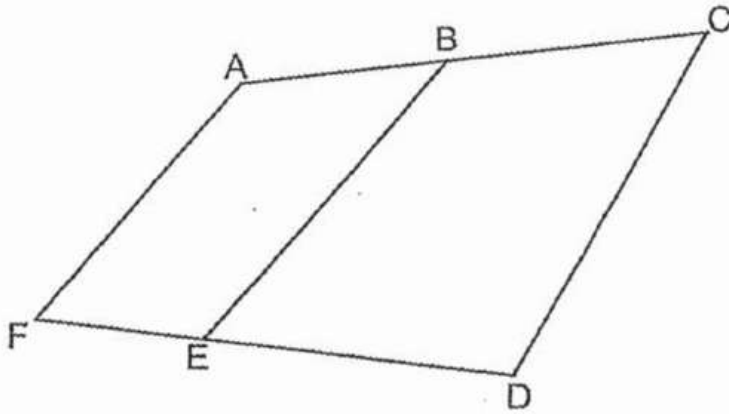


Please type "done" to proceed to the next question

**Question 25 of 45**

Primary 4 Math (Term 4) 2 pts

In the figure, one of the lines is parallel to BE. Which line is parallel to BE?

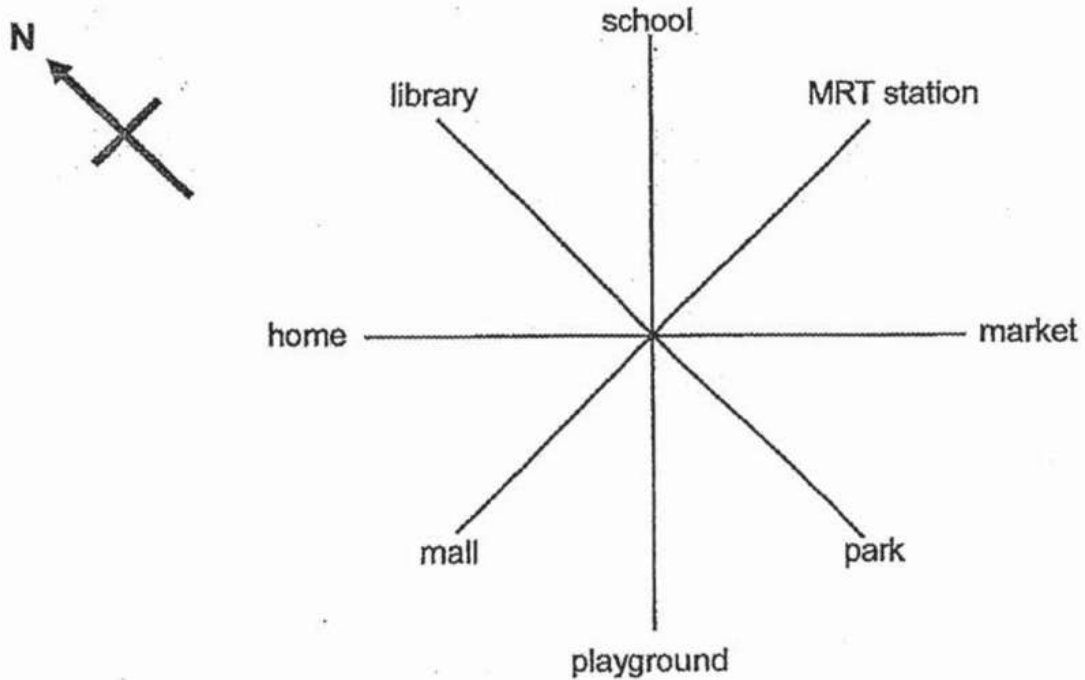


## Question 26 of 45

Primary 4 Math (Term 4)

2 pts

Xiao Ming is facing South. He makes a  $\frac{1}{2}$  turn anti-clockwise.  
Then he turns  $270^\circ$  clockwise. Where will he be facing now?

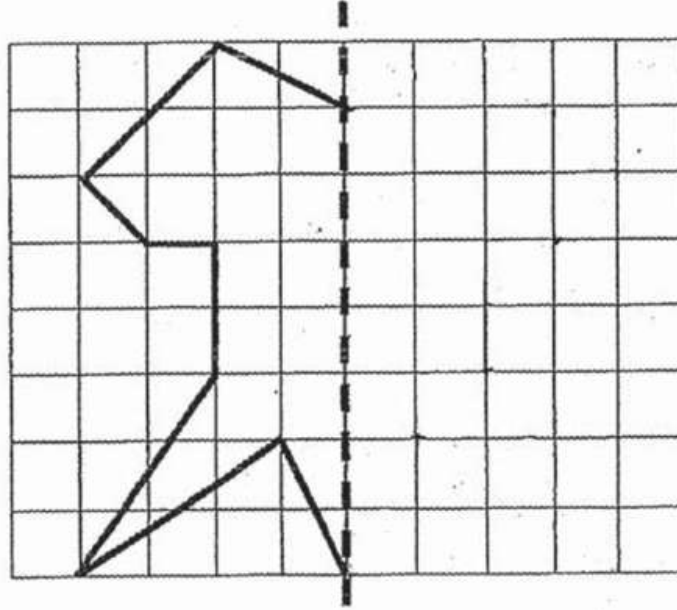


- A) school
- B) MRT station
- C) market
- D) park
- E) playground
- F) mall
- G) home
- H) library

**Question 27 of 45**

Primary 4 Math (Term 4) 0 pts

Complete the figure to form a symmetric shape along the dotted line.



Please type done to proceed to the next question

---

**Question 28 of 45**

Primary 4 Math (Term 4) 2 pts

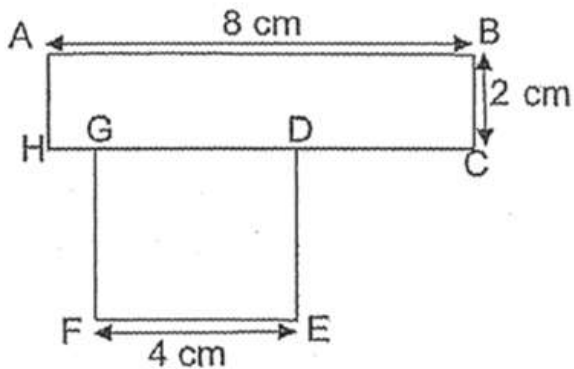
The length of a rectangle is twice its breadth.  
The perimeter of the rectangle is 42 m.  
What is the breadth of the rectangle?

---

**Question 29 of 45**

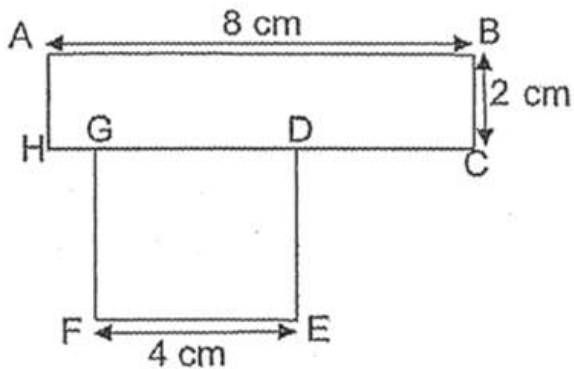
Primary 4 Math (Term 4) 2 pts

The figure below is made up of a rectangle ABCH and a square DEFG.  
Find the perimeter of the figure.

**Question 30 of 45**

Primary 4 Math (Term 4) 2 pts

The figure below is made up of a rectangle ABCH and a square DEFG.  
Find the perimeter of the figure.



- A) 11am to noon
- B) noon to 1pm
- C) 1pm to 2pm
- D) 2pm to 3pm

**Question 31 of 45**

Primary 4 Math (Term 4) 2 pts

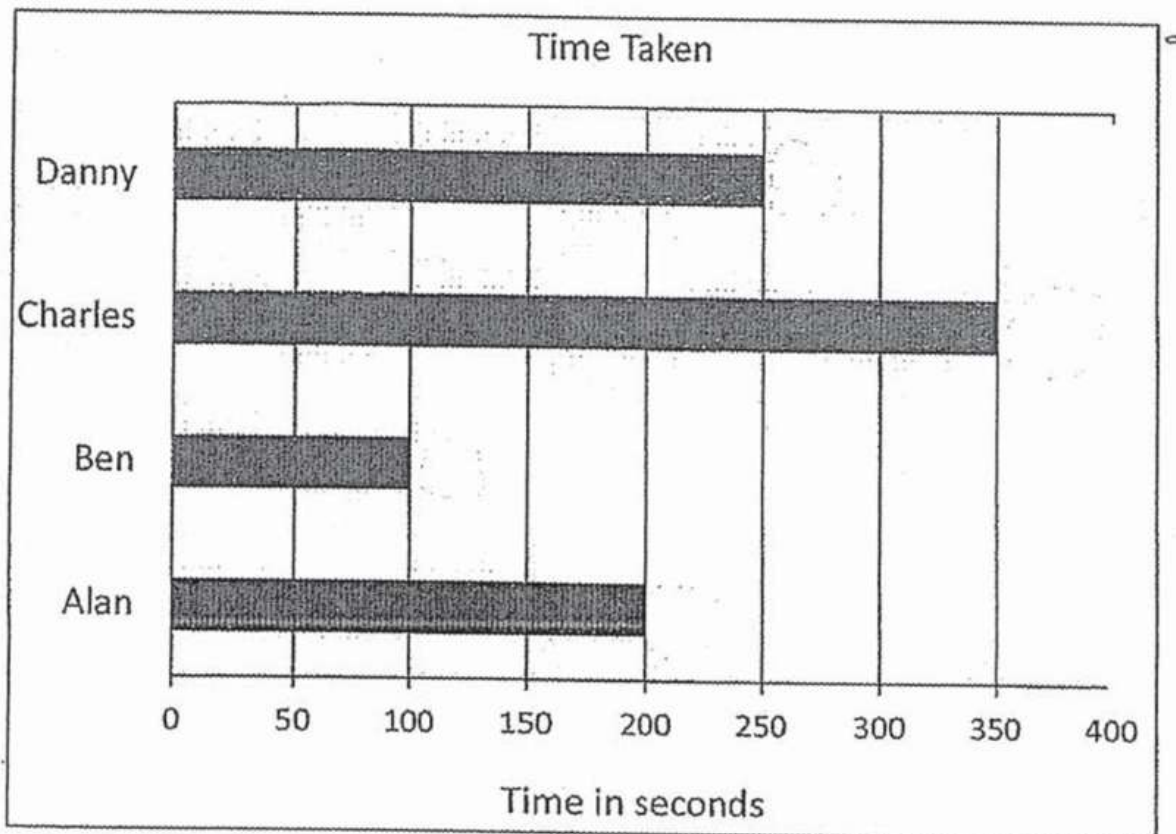
How many fewer children were there in the library at 11am than noon?

---

**Question 32 of 45**

Primary 4 Math (Term 4) 2 pts

The graph below shows the time taken in a swimming competition.



Who swam the slowest in the swimming competition?

---

- A) Danny
- B) Charles
- C) Ben
- D) Alan

**Question 33 of 45**

Primary 4 Math (Term 4) 2 pts

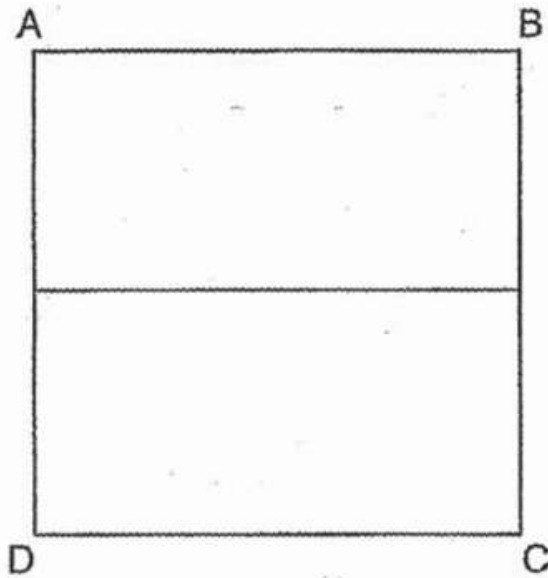
I am an even number. I am a multiple of 2 and a factor of 42.  
I am not 2 or 42. I am less than 10. What number am I?

---

**Question 34 of 45**

Primary 4 Math (Term 4) 2 pts

The square ABCD below is made up of two identical rectangles.  
The area of one rectangle is  $50 \text{ cm}^2$ . What is the length of BC?

**Question 35 of 45**

Primary 4 Math (Term 4) 2 pts

There were 2750 people at a carnival.  
1050 were adults and there were 300 more girls than boys.  
a) How many children were there?

---

**Question 36 of 45**

Primary 4 Math (Term 4) 2 pts

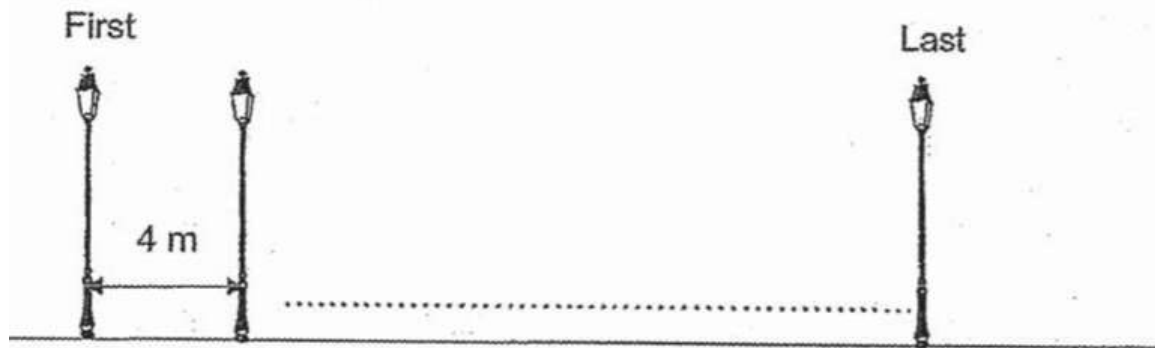
b) how many boys were there?

---

**Question 37 of 45**

Primary 4 Math (Term 4) 2 pts

There were street lamps along a footpath measuring 32 m.  
The distance between 2 street lamps is 4 m. How many street lamps are there?



---

**Question 38 of 45**

Primary 4 Math (Term 4) 2 pts

There were some jelly beans in a jar.

$\frac{1}{3}$  of them were purple,  $\frac{2}{9}$  of them were yellow and the rest were orange.

There were 312 orange jelly beans.

How many jelly beans are there altogether?

---



**Question 39 of 45**

Primary 4 Math (Term 4) 2 pts

Mei Fong had  $\frac{4}{5}$  kg of flour. However, she spilled  $\frac{1}{2}$  kg of flour on the floor.

She needed 3 kg of flour to bake butter cakes.

(a) How much flour had she left?

---

**Question 40 of 45**

Primary 4 Math (Term 4) 2 pts

b) How much more flour did Mei Fond need?

---

**Question 41 of 45**

Primary 4 Math (Term 4) 2 pts

Ali bought 8 chocolate donuts at \$2.35 each. He also bought 4 strawberry donuts. If he paid \$30 for all the donuts, how much did he pay for each strawberry donuts?

---

**Question 42 of 45**

Primary 4 Math (Term 4) 2 pts

Josephine had thrice as much orange juice as apple juice. After she poured out 1.08 L apple juice, she had 5 times as much orange juice. How much apple juice did Josephine have at first?

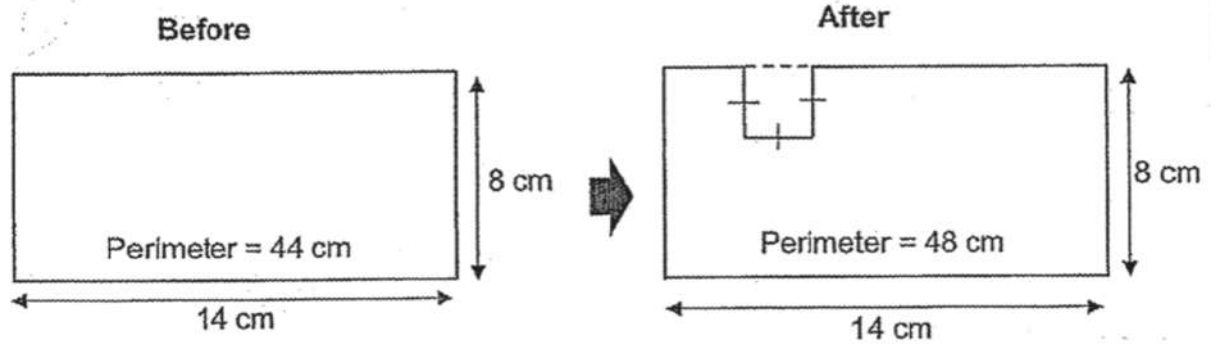
---

**Question 43 of 45**

Primary 4 Math (Term 4) 2 pts

The perimeter of the rectangular piece of paper measuring 14 cm by 8 cm is 48 cm after a small square was cut from it.

(a) What is the length of each side of the small square that was cut?

**Question 44 of 45**

Primary 4 Math (Term 4) 2 pts

b) After the small square was cut out, what is the area of the rectangular piece of paper left?

---

**Question 45 of 45**

Primary 4 Math (Term 4) 2 pts

Aminah folded 50 more paper cranes than Lucy. If Aminah gave 16 paper cranes to Lucy, how many more paper cranes would Aminah have than Lucy now?

---