

SA1



**MARIS STELLA HIGH SCHOOL (PRIMARY)
SEMESTRAL ASSESSMENT 1
PRIMARY 4 MATHEMATICS
11 MAY 2021
BOOKLET A**

20 questions

40 marks

Total Time For Booklets A and B: 1 h 45 min

NAME : _____ ()

CLASS : PRIMARY 4 _____

DO NOT OPEN THIS BOOKLET UNTIL YOU ARE TOLD TO DO SO.

FOLLOW ALL INSTRUCTIONS CAREFULLY.

ANSWER ALL QUESTIONS.

Section A (20 x 2 = 40 marks)

For each question, four options are given. One of them is the correct answer. Make your choice (1, 2, 3 or 4). Shade the correct oval (1, 2, 3 or 4) on the Optical Answer Sheet.

1. The value of the digit 9 in 39 671 is _____.
 - (1) 9
 - (2) 90
 - (3) 900
 - (4) 9000

2. Which of the following numbers when rounded to the nearest hundred is 20 000?
 - (1) 19 949
 - (2) 19 995
 - (3) 20 099
 - (4) 20 999

3. How many hundreds are there in 12 500?
 - (1) 5
 - (2) 125
 - (3) 500
 - (4) 1250

4. Which of the following is a factor of 54?
 - (1) 7
 - (2) 6
 - (3) 5
 - (4) 4

5. Which of the following is a common multiple of 3 and 4?

- (1) 16
- (2) 18
- (3) 20
- (4) 24

6. Arrange the numbers below, beginning with the greatest.

23 369 , 36 892 , 23 396 , 38 692

(greatest)

(smallest)

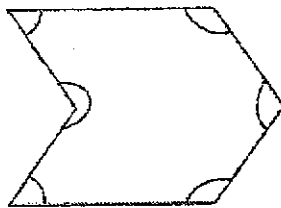
- (1) 23 369, 23 396, 38 692, 36 892
- (2) 23 396, 23 369, 36 892, 38 692
- (3) 38 692, 36 892, 23 396, 23 369
- (4) 38 692, 36 892, 23 369, 23 396

7. A teacher bought 189 pencils for her pupils in class.
After each pupil received 6 pencils, 3 pencils were left over.
How many pupils were there in her class?

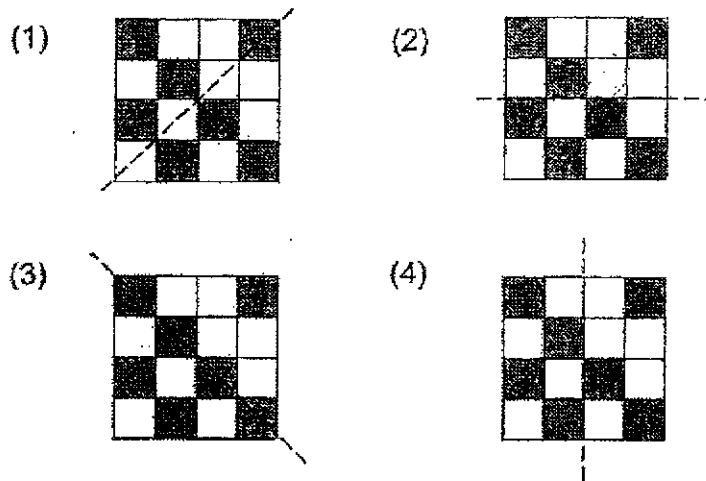
- (1) 31
- (2) 32
- (3) 61
- (4) 63

8. How many of the marked angles in the figure are greater than a right angle?

- (1) 6
- (2) 2
- (3) 3
- (4) 4



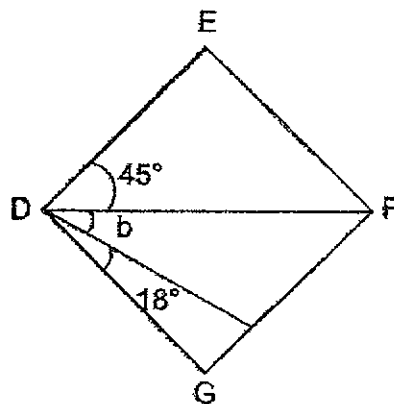
9. Which of the dotted lines is the correct line of symmetry?



10. A paint company bought 194 tins of paint. Each tin contained 16 l of paint. It used 89 tins to paint a building. How many litres of paint had the company left?

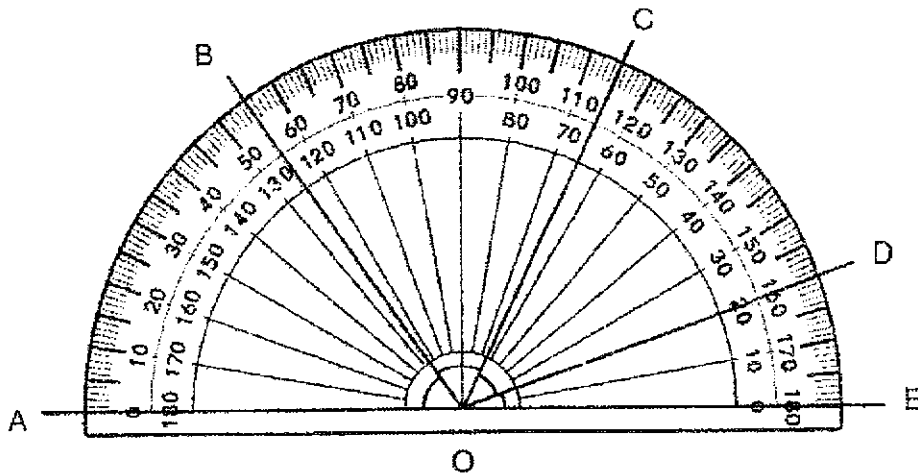
- (1) 1424 l
- (2) 1680 l
- (3) 3104 l
- (4) 4528 l

11. In the figure below, DEFG is a square. Find $\angle b$.



- (1) 27°
- (2) 45°
- (3) 63°
- (4) 72°

12. Which one of the following angles measures 45° ?

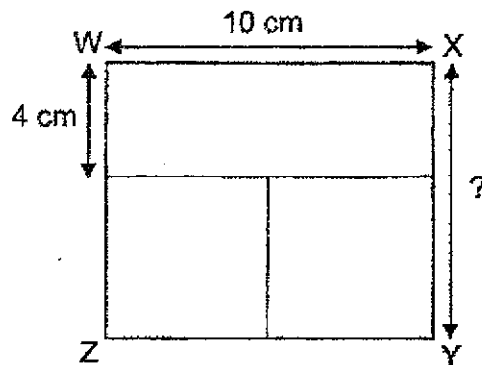


- (1) $\angle AOB$
(2) $\angle BOC$
(3) $\angle COD$
(4) $\angle COE$
13. Angie bought 12 packets of sweets. Each packet contained 20 sweets. She gave all the sweets to her 3 brothers equally. How many sweets did each of her brothers get?
- (1) 24
(2) 36
(3) 60
(4) 80
14. At a funfair, every 4th visitor receives a cap and every 6th visitor receives a toy. What is the position of the first visitor who will receive a cap and a toy?
- (1) 10th
(2) 12th
(3) 24th
(4) 36th

15. Mr Lee paid \$225 for 2 watches and 3 shirts. Each watch cost 3 times as much as a shirt. How much did he pay for each shirt?

- (1) \$25
- (2) \$45
- (3) \$50
- (4) \$75

16. Rectangle WXYZ is made up of 1 rectangle and 2 identical squares. Find the length of XY.

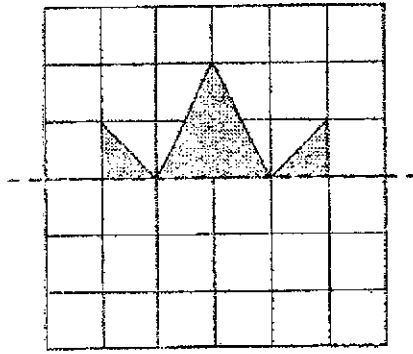


- (1) 5 cm
- (2) 6 cm
- (3) 9 cm
- (4) 10 cm

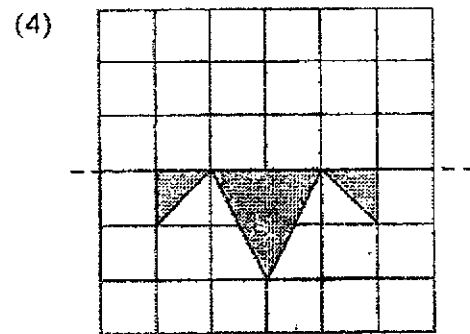
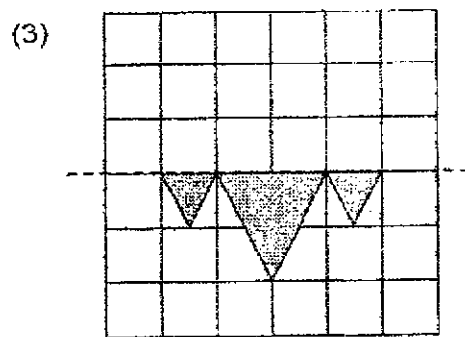
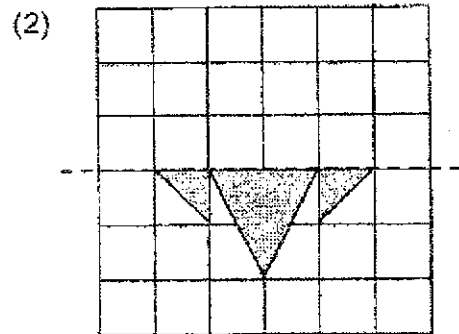
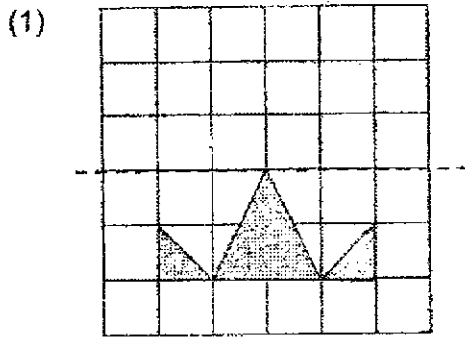
17. Adam, Ben, Charles and Danny are standing in a queue. Charles is last in the queue. Adam is between Charles and Ben. Danny is in front of Ben. Who is first in the queue?

- (1) Adam
- (2) Ben
- (3) Charles
- (4) Danny

18. Ron wants to complete the symmetric figure with the dotted line as the line of symmetry.



Which one of the following will complete the symmetric figure?



19. A ferry leaves the port every 15 minutes. The first ferry leaves at 8.00 a.m. How many ferries would have left the port from 8.00 a.m. to 9.55 a.m.?

- (1) 6
- (2) 7
- (3) 8
- (4) 9

20. Toothpicks are used to form the figures below.



Figure number	Number of toothpicks
1	4
2	7
3	10
4	13
⋮	⋮
7	?

How many toothpicks are needed to form Figure 7?

- (1) 16
- (2) 21
- (3) 22
- (4) 28

End of Booklet A
Go on to Booklet B



MARIS STELLA HIGH SCHOOL (PRIMARY)
SEMESTRAL ASSESSMENT 1
PRIMARY 4 MATHEMATICS
11 MAY 2021
BOOKLET B

25 questions

60 marks

Total Time For Booklets A and B: 1 h 45 min

NAME : _____ ()

CLASS : PRIMARY 4 _____

DO NOT OPEN THIS BOOKLET UNTIL YOU ARE TOLD TO DO SO.

FOLLOW ALL INSTRUCTIONS CAREFULLY.

ANSWER ALL QUESTIONS.

MARKS OBTAINED

BOOKLET A: _____ / 40

BOOKLET B: _____ / 60

TOTAL : _____ /100

PARENT'S SIGNATURE: _____

Section B (20 x 2 = 40 marks)

Show your working clearly in the spaces below each question and write your answers in the spaces provided. For questions which require units, give your answers in the units stated.

21. Write forty-six thousand, three hundred and eight in numerals.

Answer: _____

Do not write in this space.

22. What is the missing number?

$$73\ 918 = \underline{\hspace{2cm}} + 900 + 10 + 8$$

Answer: _____

23. Using all the digits below, form the greatest 5-digit even number.

4	1	3	2	9
---	---	---	---	---

Answer: _____

24. A number when divided by 5 gives a quotient of 483 and a remainder of 2. What is the number?

Answer: _____

--

25. What are the common factors of 21 and 35?

Do not
write in
this
space.

Answer: _____

26. Jacky has a number card. The number is a factor of 48 and a multiple of 6. It is more than 10 and less than 20. What is the number on the card?

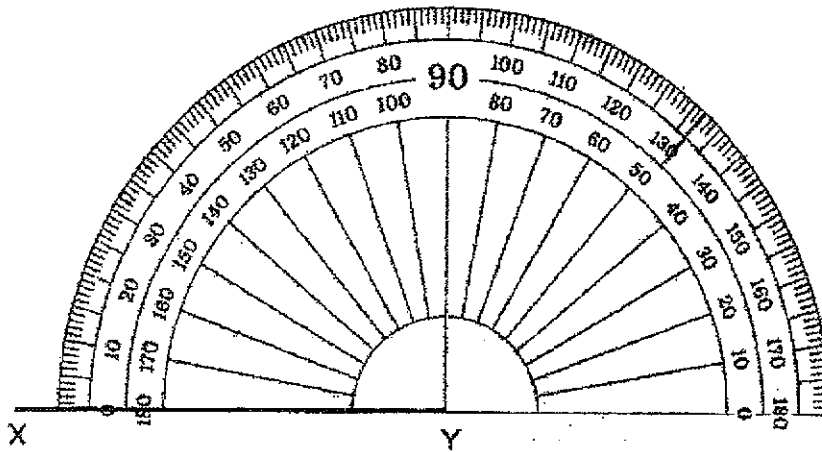
Answer: _____

27. A shopkeeper had 105 oranges. He packed them into bags. Each bag can hold 8 oranges. At least how many bags are needed to pack all the oranges?

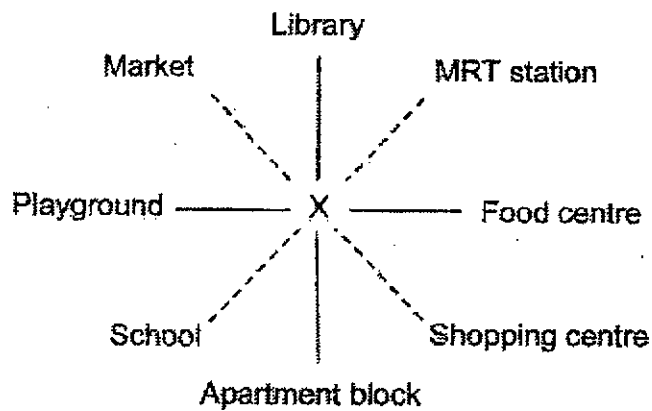
Answer: _____

28. Using the protractor below, draw an angle of 127° with the given line XY.

Do not write in this space.



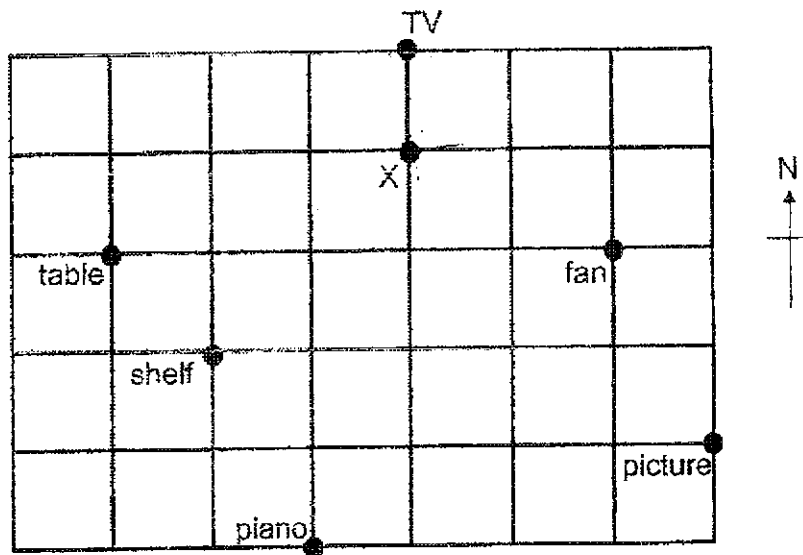
29. Peter is standing at X, facing the apartment block. He turns through 135° in a clockwise direction. Then he makes a $\frac{1}{4}$ -turn in an anti-clockwise direction. Where will he be facing in the end?



Answer: _____

Use the information below to answer Questions 30 and 31.

Do not write in this space.



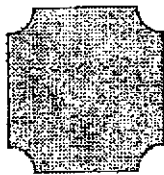
30. The _____ is south-west of the fan.

Answer: _____

31. John was standing at X facing North. He turned clockwise to face the shelf. What angle did John turn through?

Answer: _____°

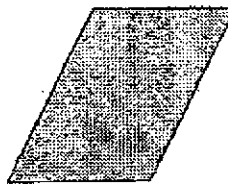
32. Which of the following figures are symmetric?



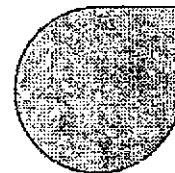
A



B



C

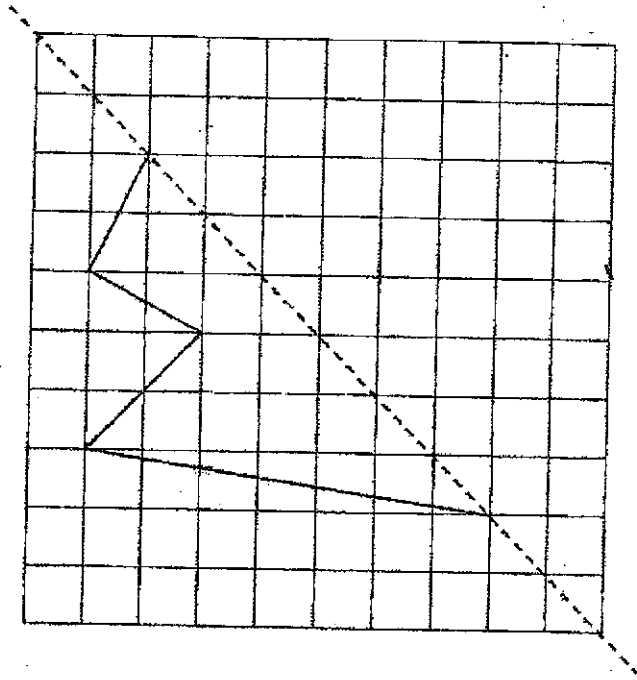


D

Answer: _____ and _____

33. The figure below is half of a symmetric figure. Complete the symmetric figure with the dotted line as the line of symmetry.

Do not write in this space.



34. Titus has more than 20 but less than 30 chocolates. If he puts the chocolates equally into 7 bags, he will be short of 3 chocolates. If he puts them equally into 3 bags, he will have 1 extra chocolate. How many chocolates does Titus have?

Answer: _____

35. The cost of 6 files and 10 markers is \$40.
What is the cost of 9 files and 15 markers?

Do not
write in
this
space.

Answer: \$ _____

36. A group of girls were standing in rows in the hall. There was an equal number of girls in each row. Judy was in one of the rows. In her row, she was 4th from the front and 7th from the back.

The statements below are either true, false or not possible to tell based on the information given above. Put a tick (✓) to indicate your answer.

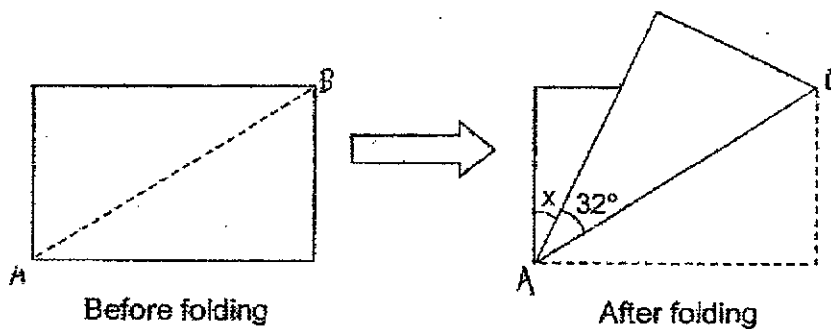
	True	False	Not possible to tell
There were less than 10 girls in each row.			
There were 180 girls in the hall altogether.			

37. Xavier and Mary had a total of 336 beads. After Xavier gave 42 beads to Mary, Xavier had twice as many beads as Mary. How many beads did Mary have at first?

Do not write in this space.

Answer: _____

38. A rectangular piece of paper is folded along the dotted line AB.



What is the size of $\angle x$?

Answer: _____ °

39. A factory produced some toys from Monday to Wednesday. Each day, it produced 10 more toys than the day before. Over the three days, 150 toys were produced. How many toys were produced on Monday?

Do not write in this space.

Answer: _____

40. Lenny used 30 notes to pay for a camera. They were either \$5 or \$10 notes. The total value of those notes was \$240. How many \$10 notes did Lenny use?

Answer: _____

Section C (5 x 4 = 20 marks)

Work out the answers for each of the following questions. All workings must be shown clearly in the space provided.

41. A fruit seller had 263 boxes of apples.
There were 16 apples in each box.
He then repacked all the apples into bags of 8 equally.
- (a) How many apples did the fruit seller have altogether?
- (b) How many bags of apples did he have after repacking?

Do not
write in
this
space.

Answer: (a) _____ [2]

(b) _____ [2]

42. Alex, Bala and Cindy had 2599 stickers altogether.
Alex had twice as many stickers as Bala.
Cindy had 149 stickers less than Bala.
How many stickers did Cindy have?

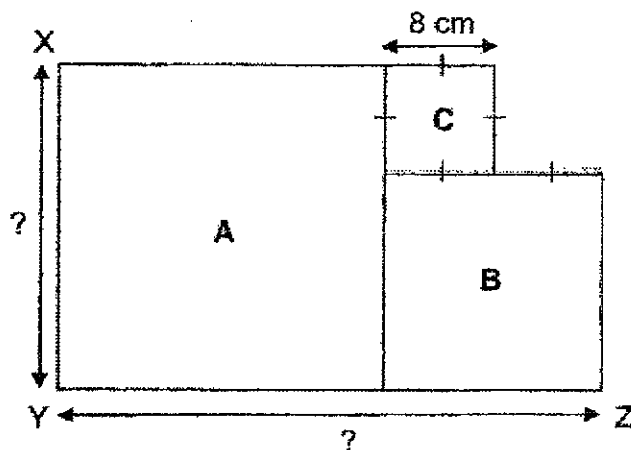
Do not
write in
this
space.

Answer: _____ [4]

43. The figure below is made up of 3 squares of different sizes. The length of square B is twice the length of square C.

Given the length of square C is 8 cm, find the

- (a) length XY, and
(b) length YZ.



Do not write in this space.

Answer: (a) _____ [2]

(b) _____ [2]

44. Mrs Tan paid \$156 in total for some cups and plates.
She bought 6 more cups than plates.
Each cup cost \$2 and each plate cost \$7.
How many cups did she buy?

Do not
write in
this
space.

Answer: _____ [4]

45. Isaac and June saved a total of \$3276.
Isaac and Nora saved a total of \$1520.
June saved 3 times as much as Nora.
How much money did Isaac save?

Do not
write in
this
space.

Answer: _____ [4]

End of Paper

20

SCORE

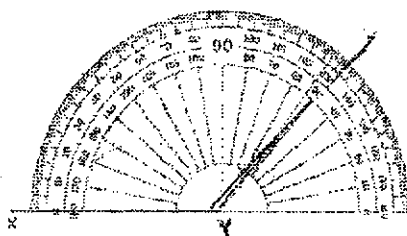
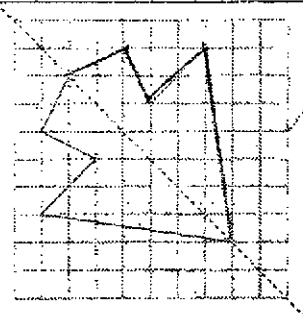
ANSWER KEY

YEAR : 2021
LEVEL : Primary 4
SCHOOL : Maris Stella High School
SUBJECT : MATHEMATICS
TERM : Semestral Assessment 1

BOOKLET A (PAPER 1)

Q1	4	Q2	2	Q3	2	Q4	2	Q5	4
Q6	3	Q7	1	Q8	4	Q9	1	Q10	2
Q11	1	Q12	3	Q13	4	Q14	2	Q15	1
Q16	3	Q17	4	Q18	4	Q19	3	Q20	3

BOOKLET B (PAPER 1)

Q21	46308	Q22	$73918-900-10-8=73000$
Q23	94312	Q24	$483 \times 5 = 2415$ $2415 + 2 = 2417$
Q25	1,7	Q26	12
Q27	$105 \div 8 = 13R1$ $13 + 1 = 14$	Q28	
Q29	School	Q30	Piano
Q31	225	Q32	A and D
Q33		Q34	$28 - 3 = 25$ $24 + 1 = 25$ Ans : 25
Q35	$40 : 2 = 20$ $20 \times 3 = 60$	Q36	False Not possible to tell
Q37	$336 \div 3 = 112$ $112 - 42 = 70$	Q38	$90 - 32 = 58$ $58 - 32 = 26$

Q39	$150-30=120$ $120 \div 3 = 40$	Q40	$18 \times 10 = 180$ $12 \times 5 = 60$ $180+60=240$ Ans : 18
Q41	(a) $263 \times 16 = 4208$ (b) $4208 \div 8 = 526$	Q42	$2599+149=2748$ $2748 \div 4 = 687$ $687-149=538$
Q43	(a) $8+8=16$ $16+8=24\text{cm}$ (b) $24+16=40\text{cm}$	Q44	$6 \times 2 = 12$ $156-12=144$ $2+7=9$ $144 \div 9 = 16$ $16+6=22$
Q45	$3276-1520=1756$ $1756 \div 2 = 878$ $1520-878=642$		

2
2/10