

**Test:** Primary 4 Maths (Term 2) - School SC

**Points:** 94 points

**Name:** \_\_\_\_\_

**Score:** \_\_\_\_\_

**Date:** \_\_\_\_\_

**Signature:** \_\_\_\_\_

Select multiple choice answers with a cross or tick:

Only select one answer

Can select multiple answers

**Question 1 of 45**

Primary 4 Math (Term 2) 2 pts

**Each question carries 2 marks. For each question, four options are given. One of them is the correct answer. Make your choice (A, B, C or D).**

In 76 235, the digit 7 has the value of \_\_\_\_\_

- A) 70
- B) 700
- C) 7000
- D) 70 000

**Question 2 of 45**

Primary 4 Math (Term 2) 2 pts

Which one of the following is the same as 2500?

- A) 25 ones
- B) 25 tens
- C) 25 hundreds
- D) 25 thousands

**Question 3 of 45**

Primary 4 Math (Term 2) 2 pts

What is 1000 less than 80 008?

---

- A) 79 008
- B) 79 108
- C) 80 108
- D) 81 008

**Question 4 of 45**

Primary 4 Math (Term 2) 2 pts

Round off 39 490 to the nearest thousand.

---

- A) 39 000
- B) 39 500
- C) 40 000
- D) 40 500

**Question 5 of 45**

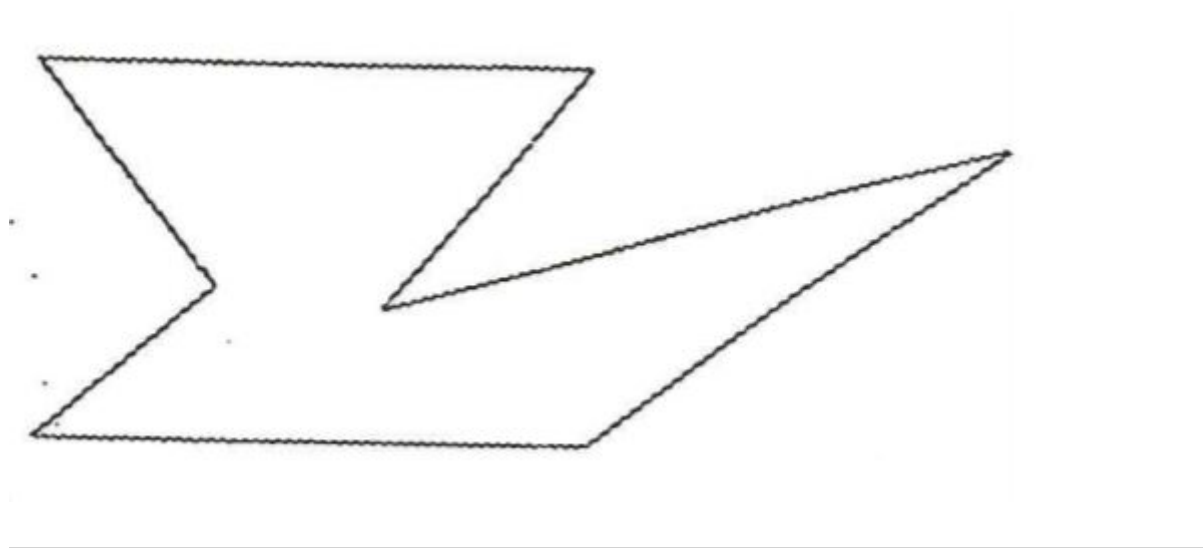
Primary 4 Math (Term 2) 2 pts

Which of the following is a common multiple of both 8 and 9?

---

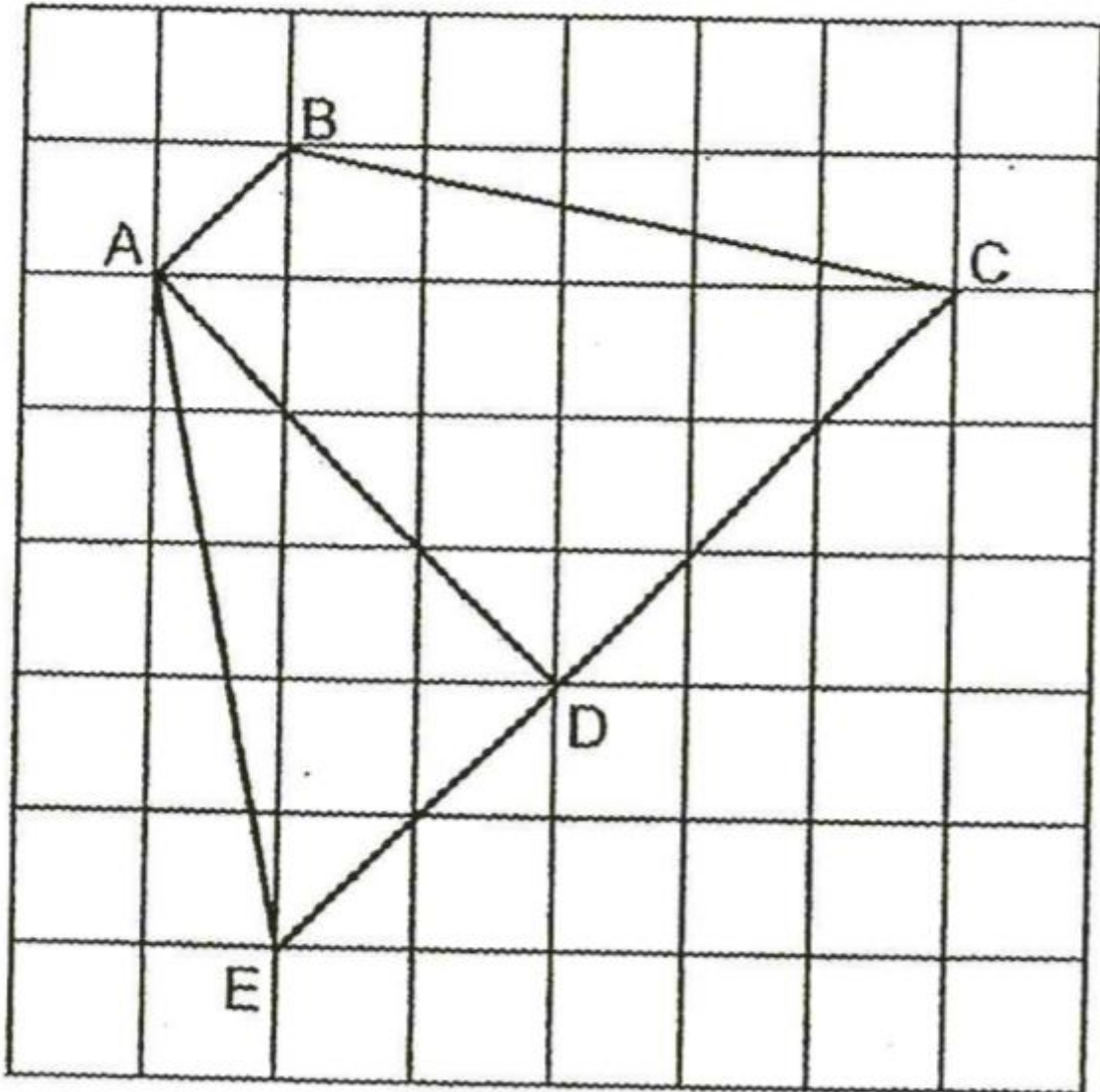
- A) 18
- B) 56
- C) 64
- D) 72

How many angles inside the figure shown below are **greater** than a right angle?



- A) 1
- B) 2
- C) 3
- D) 4

In the figure below, which of the following lines is parallel to AB?



- A) AD
- B) AE
- C) BC
- D) ED

**Question 8 of 45**

Primary 4 Math (Term 2) 2 pts

Which one of the letters has no lines of symmetry?

---

A)



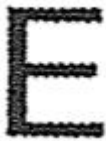
B)



C)



D)

**Question 9 of 45**

Primary 4 Math (Term 2) 2 pts

I am an odd number.  
I am a multiple of 3 and a factor of 30.  
I am greater than 10.  
What number am I?

---

A) 9

B) 15

C) 21

D) 27

**Question 10 of 45**

Primary 4 Math (Term 2) 2 pts

Lily spent  $\frac{1}{5}$  of her savings on a bag. She also bought a pair of shoes for \$35 and had \$65 left. How much savings did she have at first?

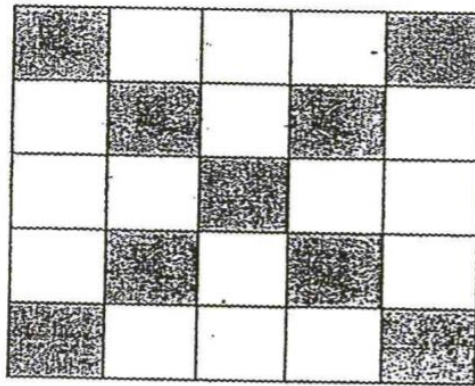
---

- A) \$100
- B) \$120
- C) \$125
- D) \$500

**Question 11 of 45**

Primary 4 Math (Term 2) 2 pts

How many more squares must be shaded so that  $\frac{3}{5}$  of the figure is shaded?

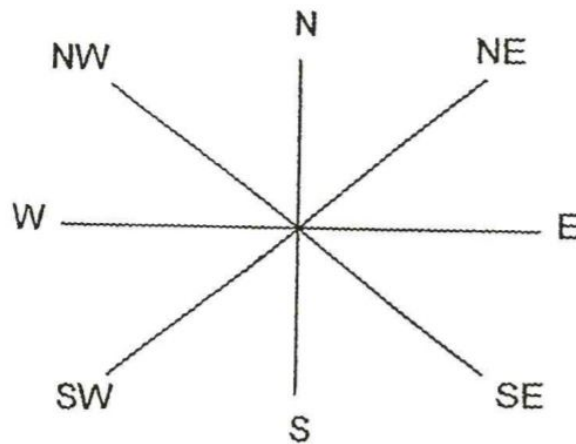


- 
- A) 6
  - B) 9
  - C) 10
  - D) 15

**Question 12 of 45**

Primary 4 Math (Term 2) 2 pts

Look at the 8-point compass below.



When Amy turned  $225^\circ$  in an anti-clockwise direction, she would face West. Where was she facing at first?

- 
- A) NE
  - B) SE
  - C) E
  - D) S

**Question 13 of 45**

Primary 4 Math (Term 2) 2 pts

Jane baked 96 cupcakes. She sold  $\frac{5}{8}$  of the cupcakes. How many cupcakes were not sold?

- 
- A) 12
  - B) 24
  - C) 36
  - D) 60

**Question 14 of 45**

Primary 4 Math (Term 2) 2 pts

Father paid \$240 for 3 shirts and a jacket. The jacket cost twice as much as the shirt. How much did Father pay for the jacket?

- 
- A) \$48
  - B) \$60
  - C) \$80
  - D) \$96

**Question 15 of 45**

Primary 4 Math (Term 2) 2 pts

Kayla is 16 years old. Mona is 4 years older than her. In how many years' time will their total age be 70 years?

---

- A) 17
- B) 20
- C) 34
- D) 36

**Question 16 of 45**

Primary 4 Math (Term 2) 2 pts

Each question carries 2 marks. Write your answers in the spaces provided. For questions which require units, give your answers in the units stated.

Write 20 711 in words.

---

**Question 17 of 45**

Primary 4 Math (Term 2) 2 pts

Look at the number pattern below and fill in the missing number.

26 300 , 26 450 , 26 600 , \_\_\_\_\_ , 26 900

---

**Question 18 of 45**

Primary 4 Math (Term 2) 2 pts

Here are five number cards.

4 5 2 8 1

Arrange these cards to form the smallest 5-digit **odd** number.

---

**Question 19 of 45**

Primary 4 Math (Term 2) 2 pts

List all the factors of 16.

---



**Question 20 of 45**

Primary 4 Math (Term 2) 2 pts

$345 \times 68 = \underline{\hspace{2cm}}$ 

---

**Question 21 of 45**

Primary 4 Math (Term 2) 2 pts

What is the remainder when 4385 is divided by 3?

---

**Question 22 of 45**

Primary 4 Math (Term 2) 2 pts

$$\frac{3}{4} + \frac{1}{8} + \frac{1}{8} = \square$$

---

**Question 23 of 45**

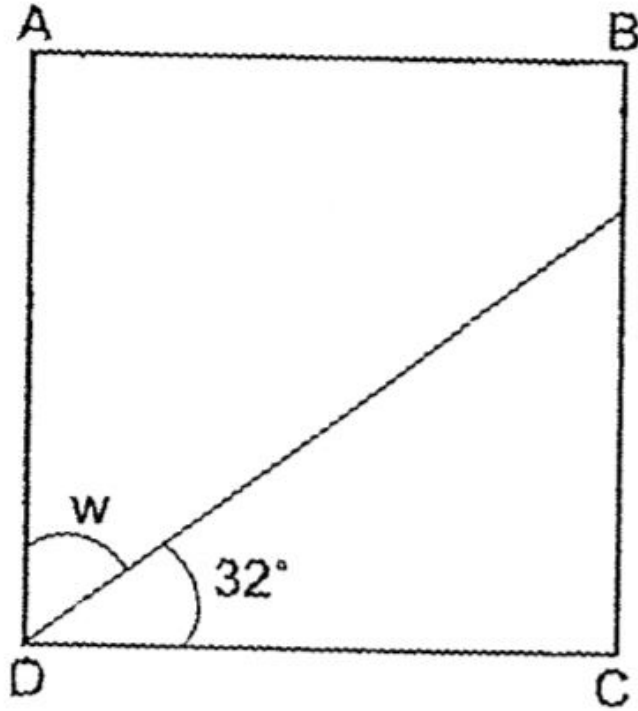
Primary 4 Math (Term 2) 2 pts

Arrange the following in increasing order.

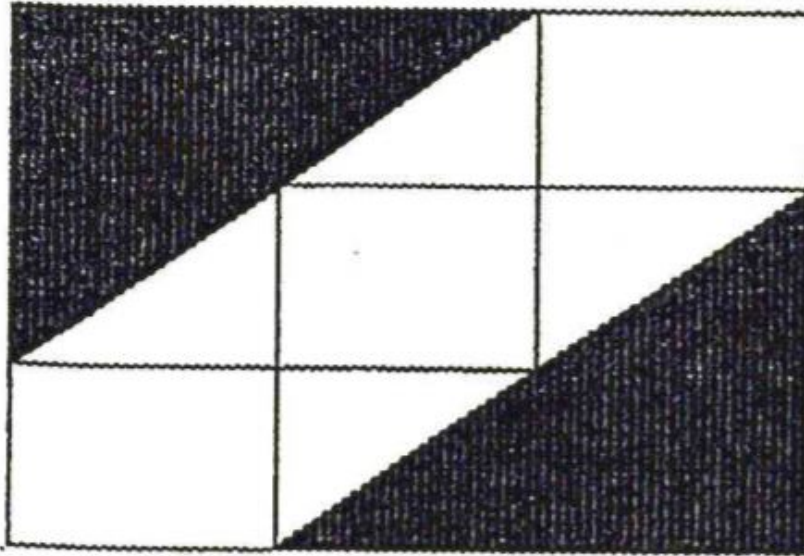
$$1, \frac{2}{3}, \frac{5}{4}, \frac{5}{6}$$

---

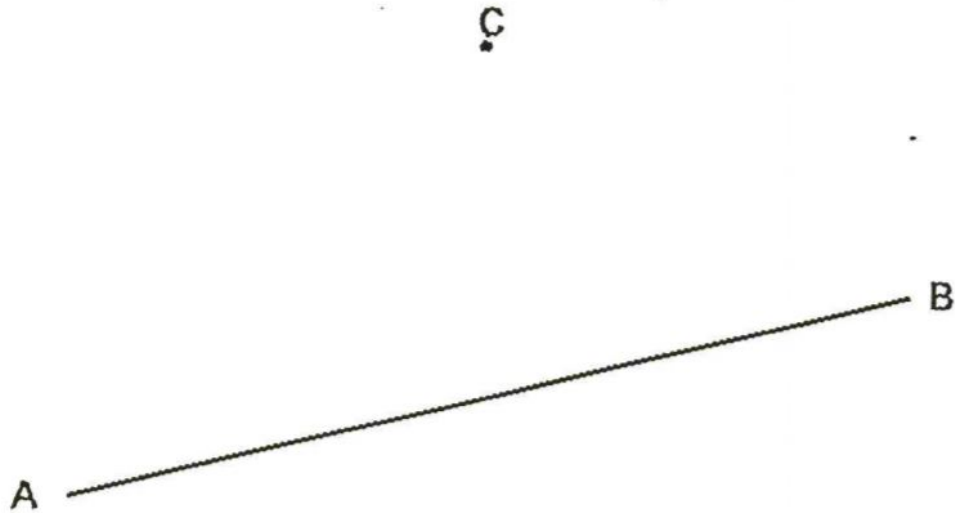
ABCD is a square. Find  $\angle w$ .



What fraction of the figure below is shaded?



Draw a line perpendicular to AB passing through point C.



*This question is designed for extended answers that parent/ teacher will have to assign and guide child to attempt after the test has been completed.*

*Grading: This question type is not graded on this system and will not affect the final score as it was designed in such a way that it requires manual assistance.*

**"Please put "Done" in the question space below in order to proceed to the next question"**

---

Draw and label an angle such that  $\angle PQR$  is equal to  $130^\circ$ .



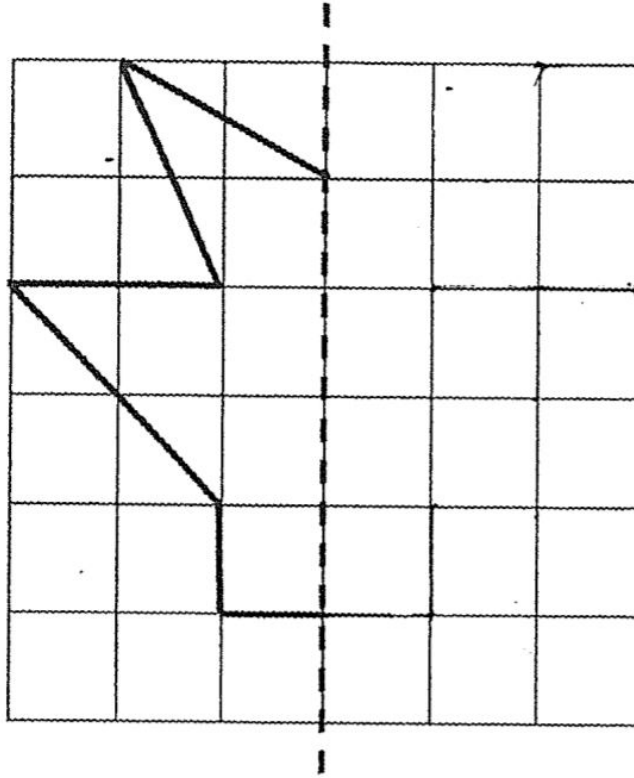
*This question is designed for extended answers that parent/ teacher will have to assign and guide child to attempt after the test has been completed.*

*Grading: This question type is not graded on this system and will not affect the final score as it was designed in such a way that it requires manual assistance.*

**"Please put "Done" in the question space below in order to proceed to the next question"**

---

Complete the figure below using the dotted line as the line of symmetry.



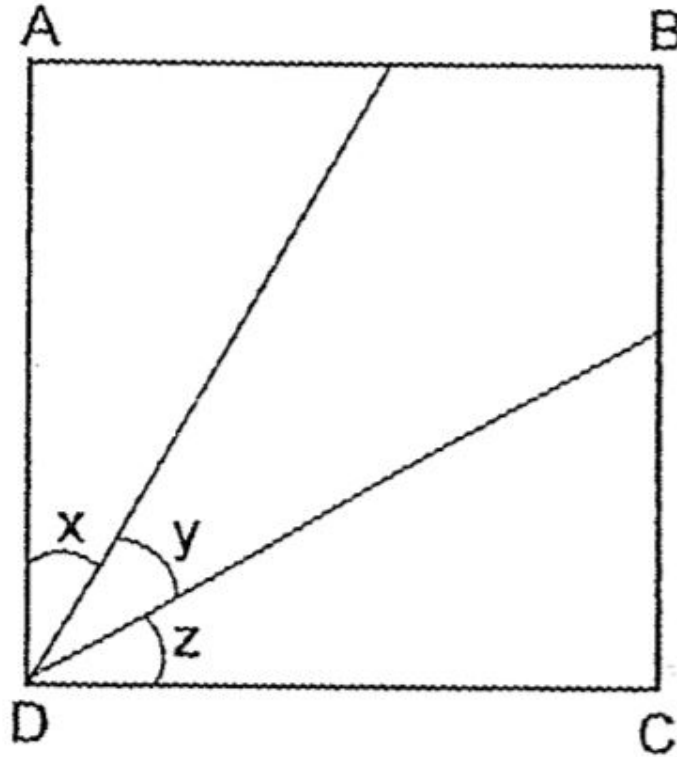
*This question is designed for extended answers that parent/ teacher will have to assign and guide child to attempt after the test has been completed.*

*Grading: This question type is not graded on this system and will not affect the final score as it was designed in such a way that it requires manual assistance.*

**"Please put "Done" in the question space below in order to proceed to the next question"**

---

ABCD is a square.  $\angle x = \angle y = \angle z$ . Find  $\angle x$ .



If  $\frac{4}{7}$  of a number is 20, what is the number?

---

**Question 31 of 45**

Primary 4 Math (Term 2) 2 pts

Julie has \$108. If she spends  $\frac{1}{9}$  of her money, the amount of money left will be the same as what Huling has. How much does Huling have?

Ans: \$ \_\_\_\_\_

---

**Question 32 of 45**

Primary 4 Math (Term 2) 2 pts

The number of English storybooks in the school library is 3 times the number of Chinese storybooks. There are 1221 English storybooks.  
How many more English storybooks than Chinese storybooks are there?

---

**Question 33 of 45**

Primary 4 Math (Term 2) 2 pts

Julia, Siti and Betty had 330 beads altogether. Julia had twice as many beads as Betty. Siti had 50 beads more than Betty.  
How many beads did Betty have?

Ans: \_\_\_\_\_ beads

---



**Chocolate Empire**

**\$4 each**  
**BUY 3 get**  
**1 FREE!!**



Isabel needs to buy 20 chocolate bars as gifts. How much does she have to pay if she gets them from Chocolate Empire?

Ans: \$\_\_\_\_\_

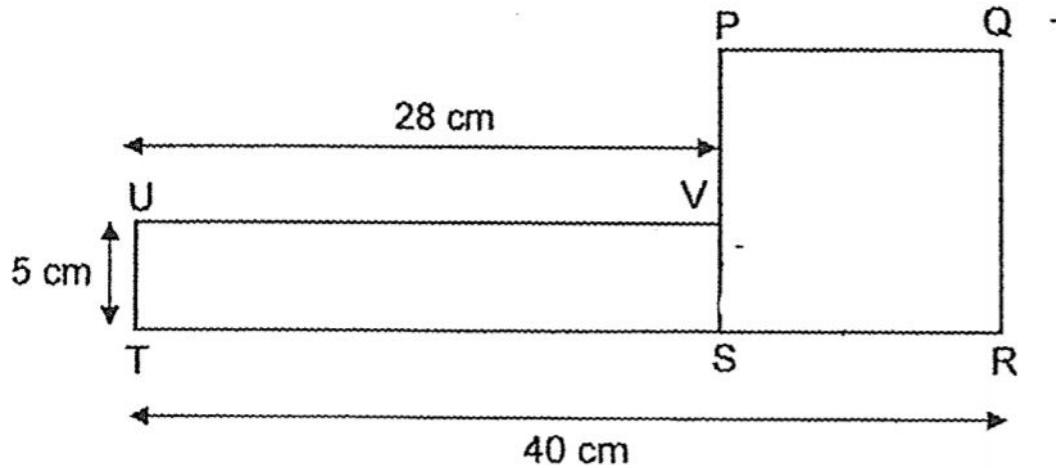
---

Wendy and Joanne have a total of 90 stamps. Wendy has 5 times as many stamps as Joanne. How many stamps must Wendy give to Joanne so that each of them has an equal number of stamps?

---

For each question, show your working clearly and write your answer in the space provided.

In the figure below, PQRS is a square and UVST is a rectangle.

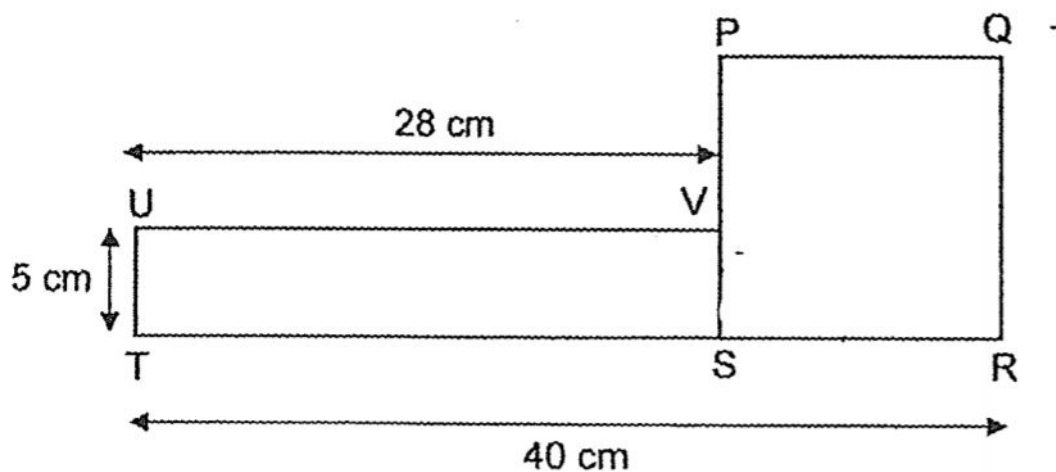


a) Find QR.

Ans: \_\_\_\_\_ cm

---

In the figure below, PQRS is a square and UVST is a rectangle.



b) Find PV.

Ans: \_\_\_\_\_ cm

---

**Question 38 of 45**

Primary 4 Math (Term 2) 3 pts

Mrs Lee bought 8 kg of cherries. She gave  $\frac{1}{4}$  of it to her friend and ate  $\frac{1}{2}$  kg. How much cherries had she left?

Ans: \_\_\_\_\_ kg

---

**Question 39 of 45**

Primary 4 Math (Term 2) 4 pts

A baker baked 120 cupcakes on Tuesday. He packed them into boxes of 6 and sold them at \$12 per box. At the end of the day, 3 boxes were left unsold. How much money was collected from the sale of the cupcakes?

Ans: \$\_\_\_\_\_

---

**Question 40 of 45**

Primary 4 Math (Term 2) 4 pts

Sabrina read  $\frac{2}{11}$  of a book on Saturday and  $\frac{5}{11}$  of it on Sunday.

If she had 180 more pages to read, how many more pages did she read on Sunday than on Saturday?

---

**Question 41 of 45**

Primary 4 Math (Term 2) 4 pts

Mrs Chan ordered 30 new blouses and jeans for her shop. Each blouse cost \$20 and each pair of jeans cost \$30. She paid \$730 altogether. How many blouses did she buy?

Ans: \_\_\_\_\_ blouses

---

**Question 42 of 45**

Primary 4 Math (Term 2) 4 pts

2 storybooks cost as much as 3 comics. Zoe paid \$48 for 4 storybooks. How much must she pay if she wants to buy 5 comics?

Ans: \$ \_\_\_\_\_

---

**Question 43 of 45**

Primary 4 Math (Term 2) 4 pts

Natalie saved \$30 more than Cindy. Ariel saved 3 times as much money as Natalie. The 3 girls saved a total of \$300. How much money did Natalie save?

Ans: \$ \_\_\_\_\_

---

**Question 44 of 45**

Primary 4 Math (Term 2) 2 pts

Paul and Joe had 192 marbles altogether. After Paul had given 34 marbles to Joe, Joe had 3 times as many marbles as Paul.

a) How many marbles did Paul have in the end?

Ans: \_\_\_\_\_ marbles

---

**Question 45 of 45**

Primary 4 Math (Term 2) 2 pts

Paul and Joe had 192 marbles altogether. After Paul had given 34 marbles to Joe, Joe had 3 times as many marbles as Paul.

b) How many marbles did Joe have at first?

Ans: \_\_\_\_\_ marbles

---